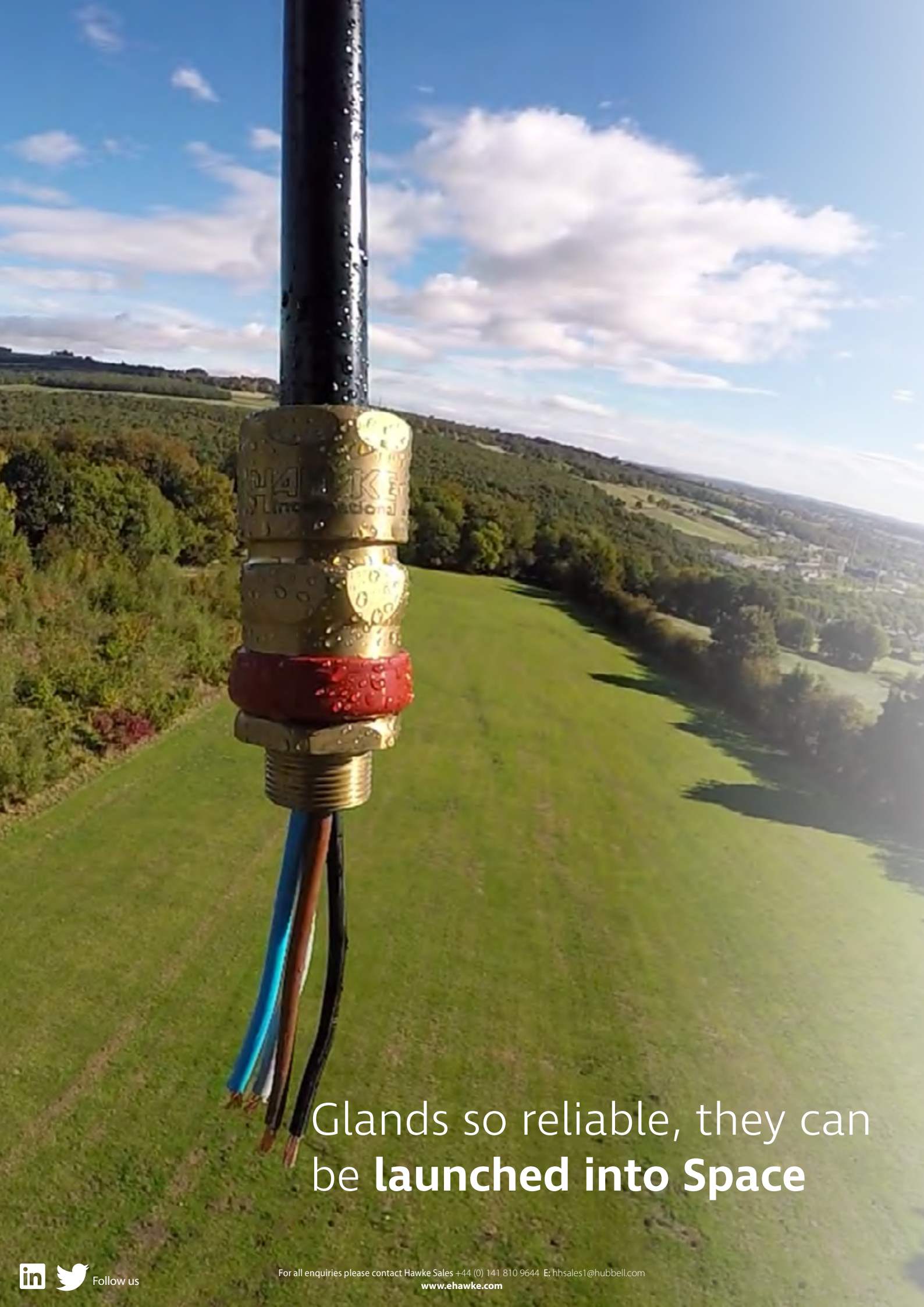


# CABLE GLANDS & ACCESSORIES

..... *For Harsh & Hazardous Environments* .....







Glands so reliable, they can  
be **launched into Space**



Follow us

For all enquiries please contact Hawke Sales +44 (0) 141 810 9644 E: [hhsales1@hubbell.com](mailto:hhsales1@hubbell.com)  
[www.ehawke.com](http://www.ehawke.com)

## Introduction

- 4 | Hawke Cable Glands
- 6 | Gland Tightening Guide

## Coldflow Compliant Glands

- 7 | Overview
- 8 | Features
- 10 | Upgrade Kits
- 11 | 501/453/UNIV
- 12 | ICG/653/UNIV
- 14 | ICG/653/UNIV/L
- 16 | PSG/553/RAC

## Compression Glands

- 17 | Overview
- 18 | Features
- 19 | PSG/421
- 20 | 501/421
- 22 | 501/423
- 24 | 501/453/RAC
- 26 | 501/453/RAC/L

## Barrier Glands

- 29 | Overview
- 30 | Features
- 31 | Silicone Compound Pot
- 32 | PSG/553/RAC
- 34 | ICG/653/UNIV
- 36 | ICG/653/UNIV/L

## Conduit Glands

- 39 | Overview
- 40 | Features
- 41 | CSB/656/N
- 42 | SB/474
- 43 | 501/414

## NEC® Compliant Glands

- 45 | Overview
- 46 | Silicone Compound Pot
- 47 | Features
- 48 | 701
- 49 | 710
- 50 | 711
- 51 | 153/X
- 52 | 753

## Industrial Glands

- 55 | Overview
- 56 | 121
- 57 | 123
- 58 | 153/UNIV
- 59 | 153/RAC
- 60 | 153/RAC/L
- 61 | 150/RAC
- 62 | 151/RAC
- 63 | 114
- 65 | FM/CW
- 66 | FM/E1W
- 67 | FM/A2

## Mining Glands

- 68 | Overview
- 69 | Features
- 70 | 453/UNIV GP1
- 71 | 653/UNIV GP1
- 72 | 453/RAC GP1

## Cable Gland Accessories

- 74 | Overview
- 75 | 375 Stopping Plug
- 75 | 390 Stopping Plug
- 76 | 383 Earth Lead Adaptor
- 76 | 389 Breather Drain & Locknut
- 77 | 475 Stopping Plug
- 77 | 477 Stopping Plug
- 78 | 487 Stopping Plug
- 78 | 489 Breather Drain
- 79 | 479 Inline Adaptor
- 79 | 480 Inline Adaptor
- 80 | Size Guides
- 82 | 476 Adaptor/Reducer
- 83 | 490 Swivel In-Line Union
- 83 | 491 Swivel In-Line Union
- 84 | 492 Swivel 90° Elbow
- 84 | 493 Swivel 90° Elbow
- 85 | 494 90° Fixed Elbow
- 85 | 495 90° Fixed Elbow
- 86 | 496 Swivel 90° Fixed Elbow
- 86 | 481 Union
- 87 | 482 Union
- 87 | 478 Adaptor
- 88 | Shrouds
- 88 | Pull-Out Clamp
- 89 | Nylon Washers
- 89 | Serrated Washers
- 90 | Earthtags
- 90 | Locknuts
- 91 | Gland Spanners

## More Hawke Products

- 92 | Plastic Exe Enclosures
- 93 | S/S Exe Enclosures
- 94 | Hazcon Controls
- 95 | Ex Connectors

The Hawke Technical Section is available in digital format from this link:  
[www.hubbell.com/hawke/en/technical-section](http://www.hubbell.com/hawke/en/technical-section)



# What is a Cable Gland

A Cable Gland is, in simple terms, a device designed to attach and secure a cable to a piece of equipment or enclosure.

A Cable Gland provides strain relief and can include a provision for making a connection to the armour, braid, lead or aluminium sheath of the cable. For unarmoured and braided cables, this strain relief is provided by the seal only. For armoured cables the armour and clamp can also provide the pull out resistance. In hazardous areas, cable glands are also used to maintain the protection concept of the equipment or enclosure into which they are being terminated – in most instances Exe or Exd.

## Why specify cable glands?

A poorly installed cable gland, or the incorrect gland chosen for a specific cable/application can become the weak link in the chain, whereas it should preserve the integrity of the overall installation. Whilst the cost of cable glands is insignificant compared to that of other hazardous area equipment, the cost of failure can be catastrophic.



### Failure can take many forms and include:

- Water or dust ingress into the equipment
- Cable properties compromised
- Damage to the cable which can lead to explosion risk
- Cables becoming loose from equipment
- Electric shock risk
- Equipment failure
- Failure to meet essential HSE requirements



# Why choose Hawke Cable Glands

All Hawke International cable glands meet, and in most cases exceed, the test requirements for products used in potentially hazardous areas. With over 60 years of experience manufacturing cable termination products for the most arduous environments, and a reputation built off safety and reliability, Hawke International cable glands offer the safest, most cost-effective glanding product available today. Plus, our global network of offices and distribution partners offers unrivalled technical support, giving peace of mind to installers and owners alike.

## Certifications Explained

Whilst many standards aim to unify the testing and design requirements for Hazardous Area cable glands, national or international codes of practice and standards may differ in their approach and testing requirements. Hawke International aims to ensure all its products are globally certified wherever possible.

However, we are not happy simply to pass the tests as dictated by the various standards but will always aim to meet and exceed these requirements with the user in mind, striking a balance between meeting the essential test requirements and offering the safest and simplest product for installers and users in real world applications not mirrored by the tests.

*See below for a list of our certifications.*



# Cable Gland Tightening Guide

To help address issues with the overtightening of cable glands and the resultant damage to cables and seals, Hawke International has developed the patented **Inbuilt Tightening Guide**.

Without the need for fiddly measuring systems, the guide provides a permanent visual indication of the gland tightness through installation, inspection and maintenance.

Whilst Hawke International goes to great lengths to ensure products are designed to be as simple to install, inspect and maintain as is possible, differing levels of competency, training and understanding can lead to glands being incorrectly installed. With hazardous area products, any poor installation issues can not only lead to expensive equipment failure, but also potential explosion risks and associated risk to life.

## How it works

The gland is permanently marked with various lines/numbers indicating the correct tightening level related to the cable diameter. Following the relevant cable gland Installation Instructions, the back seal should be tightened until a seal is formed on the cable outer sheath and then tightened one further turn.



**Step 1**  
Follow cable gland installation instructions until final stage – tightening of rear seal



**Step 2**  
Tighten backnut until a seal is formed onto the cable, then tighten one further turn



**Step 3**  
The backnut should be level with the marking guide corresponding to its diameter – this can be visually inspected and adjusted as necessary

*Note: The cable gland installation instructions have a printed cable OD measure for if the cable OD is not known*



# Cold flow Compliant Cable Gland

Cold flow, or creep as it is referred to in material science, is the tendency of any solid material to move or deform over a period of time under the influence of mechanical stresses.

Although temperature and various other environmental factors impact cold flow, materials such as plastics and rubbers will begin to creep at room temperature. Cable gland manufacturers can help to negate the impact of cold flow through the reduction of load stresses on the cable itself.

The polymer sealing element found in most hazardous area cable glands will only form an effective seal on a cable when compressed or displaced through the action of tightening opposing components of a cable gland. This force applied to the seal either compresses or displaces the sealing face of the seal onto the cable inner sheath. In either case, the force applied in tightening the gland is transferred through this sealing element and on to the inner sheath of the cable.

This force can cause cold flow where the cable inner sheath may move away from the seal and create a possible path for gas or flame propagation in the event of an explosion.



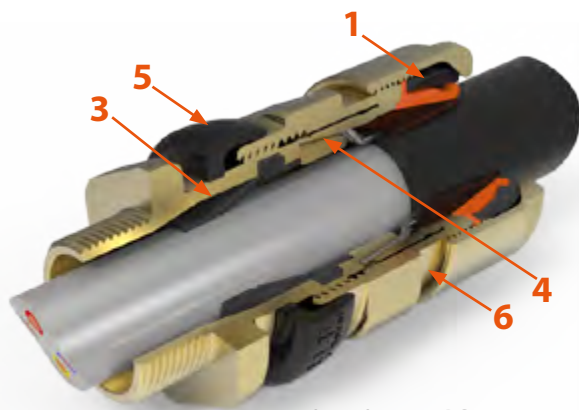
## 501/453/UNIVERSAL

The only known **independently tested non-barrier gland proven to not cause damage to cables**

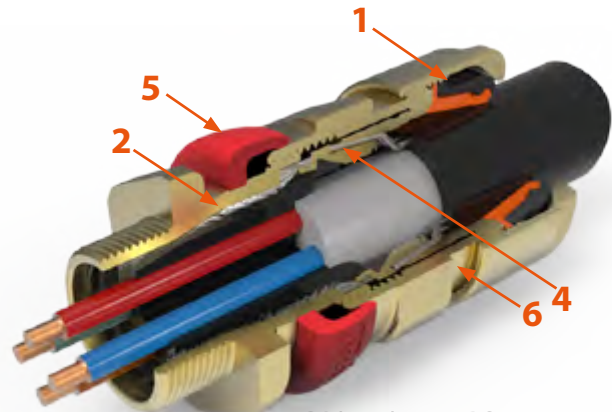
and to meet the Essential Safety and Health Requirements when fitted to an actual cable – *not* a solid stainless steel test mandrel.

Visit [www.harshandhazardous.com/coldflow](http://www.harshandhazardous.com/coldflow) to find out more.

# Features



501/453/UNIVERSAL



ICG/653/UNIVERSAL

## 1 Unique Rear Sealing System

This arrangement offers IP66, IP67, IP68 (30 metres for 7 days) IP69\*, NEMA 4X and Deluge (DTS01) Ingress Protection. The seal is manufactured from a silicone material, has LSFZH properties, is ozone and oil resistant and is suitable for use at both high and low temperatures. The Rear Sealing System covers the entire range of cable diameters without the need for special seals and the cable acceptance range is stamped on the backnut for ease of inspection. The backnut can be hand tightened, with only one further spanner turn required to ensure IP66, IP67, IP68, IP69 and NEMA 4X.

## 2 Unique Inspectable Compound Chamber

The revolutionary Hawke compound chamber has been designed with inspectability in mind. With a unique clear non-metallic compound chamber for both IEC and NEC application, the barrier seal can be made using either a QSP quick setting 2-part hand-mixed putty, or a liquid injectable and fast curing resin, allowing for faster installation time than traditional 2-part compounds. The transparent compound chamber allows full visibility of the flameproof seal during installation and inspection making the ExPress barrier resin unparalleled as a global solution.

## 3 Zero Cable Damage

The unique Hawke diaphragm sealing system does not damage cable which exhibits 'Cold Flow' characteristics. The diaphragm type seal is the only elastomeric seal to comply fully with IEC/EN 60079-14 and is therefore suitable on effectively filled 'cold flow' cables which would otherwise require barrier style cable glands. The Hawke diaphragm seal is also unique in that it is the only flameproof elastomeric seal that can be visually inspected in operation – a real benefit to inspectors.

## 4 The Original Reversible Armour Clamp

The original RAC clamping system was invented by Hawke over 10 years ago and is a well established proven performer in all conditions. Simply by reversing the clamping ring, the cable gland can adjust to accommodate all types of cable armour or braid. Unlike many of our competitors, the correct stamping orientation is marked clearly with the armour size and backed up by the presence of a groove in the component. Hawke's RAC clamping system is also fully Inspectable when positioned on the cable.

## 5 Inspectable Deluge Seal

Hawke's Inspectable deluge seal offers IP66 and IP67 sealing and is certified as 'deluge proof' by ITS in accordance with DTS01. In fact, Hawke's deluge seal is so good that it exceeds the expectations of the offshore industry by not only preventing ingress into the equipment, but also into the cable gland, which prevents corrosion of the cable armour.

## 6 Cable Tightening Guide

To help address issues with the overtightening of cable glands and the resultant damage to cables and seals, Hawke International has developed the patented INBUILT TIGHTENING GUIDE. Without the need for fiddly measuring systems, the guide provides a permanent visual indication of the gland tightness through installation, inspection and maintenance. The gland is permanently marked with various lines/numbers indicating the correct tightening level related to the cable diameter. The backnut, once tightened to the line corresponding to the cable diameter, ensures there is no cable damage whilst still maintaining IP and pull-out.

*\*for all glands with a Hawke Deluge Boot*



# The only “upgradeable” Exd gland in the world

The 501/453/UNIVERSAL cable gland offers installers the unique opportunity to upgrade the diaphragm seal, meant for use on effectively filled cable inner sheath's, to a barrier type gland, whereby a seal is formed around each individual cable core.

This offers the user the ability to **purchase just one Exd gland** for both their standard, and barrier gland requirements.

The **ExPress barrier kit** provides the user with everything required to change the patented diaphragm seal found in the 501/453/UNIVERSAL to the patented compound seal found in the ICG/653/UNIVERSAL. This flexibility is unrivalled and offers unparalleled cost savings, flexibility and peace of mind.

*See Page 10 for order details.*



# BARRIER Upgrade Kits

## One gland – two applications

The 501/453/UNIVERSAL gland has been a market leading Ex cable gland for 2 decades, but the latest version truly lives up to its **UNIVERSAL** name.

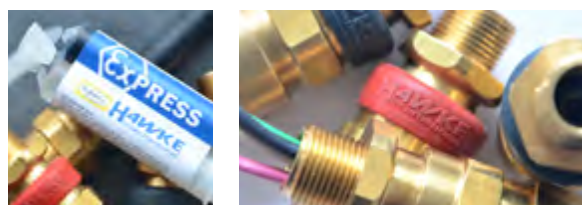
The 501/453/UNIVERSAL gland still utilises the industry leading internal diaphragm seal to meet the explosion requirements of Exd whilst also helping to prevent cold flow in cables. The 501/453/UNIVERSAL offers installers the unique opportunity to upgrade the diaphragm seal, meant for use on effectively filled cable inner sheath's, to a barrier type gland, whereby a seal is formed around each individual cable core.

The upgrade kits are available in both **QSP** and **ExPress** versions and come with everything needed to turn the 501/453/UNIVERSAL into the ICG/653/UNIVERSAL gland. This offers the user the ability to purchase just one Exd gland for both their standard, and barrier gland requirements.

This flexibility is unrivalled and offers unparalleled cost saving and peace of mind.

**QSP 2-part hand mix putty** - simple to use with a cure time from 30 minutes. Particularly useful where termination space is limited or cables are running horizontally to the installation area. Can be inspected and repaired if necessary, allowing for the very highest level of safety.

**ExPress barrier resin** - a globally certified, liquid injectable and fast curing resin, allowing for faster installation time than traditional 2-part compounds. Utilising a unique clear compound chamber allowing full visibility of the flameproof seal during installation and inspection.



### Ordering Information

Format for ordering is as follows:

Product type	Resin type	Size*	Material**
Conversion pack	QSP	A	NP (Nickel Plate)
Conversion pack	ExPress Resin	A	Brass

Ordering Example: Conversion Pack/ ExPress / A / NP

\* To match the size of the 501/453/UNIV you want to convert to a ICG653/UNIV  
 \*\* To match the material of the 501/453/UNIV you want to convert to a ICG653/UNIV

### Alternative Reversible Armour Clamping Ring Size Selection

Size Ref	Steel Wire Armour / Braid / Tape	
	Orientation 1	Orientation 2
B	0.9 - 1.25	0.5 - 0.9
C	1.2 - 1.6	0.6 - 1.2
C2	1.2 - 1.6	0.6 - 1.2
D	1.45 - 1.8	1.0 - 1.45
E	1.45 - 1.8	1.0 - 1.45
F	1.45 - 1.8	1.0 - 1.45



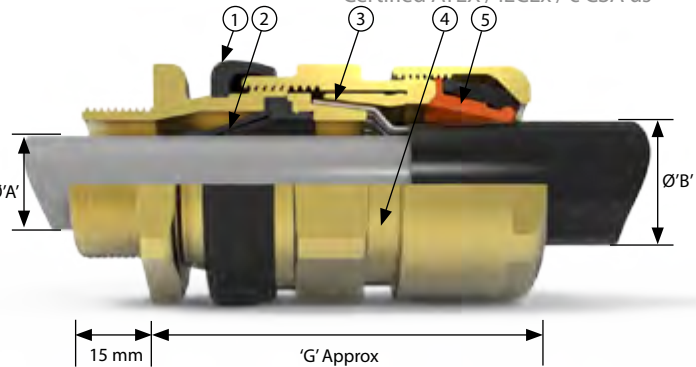
# 501/453/UNIV

Flameproof, Increased Safety, Dust Protection & Restricted Breathing  
Class - Zones

Certified ATEX / IECEx / c CSA us



- 1 Inspectable Deluge Seal - Offering IP66, IP67, IP68 & IP69 Ingress Protection
- 2 Passive diaphragm seal - Suitable for cables exhibiting 'Cold Flow.' Fully inspectable
- 3 Reversible Armour Clamp - For all types of armour and braid
- 4 Patented Cable Gland Tightening Guide - Helps prevent damage caused by over tightening
- 5 Unique Rear Seal - Offering ultimate sealing over an extremely wide cable acceptance range



The 501/453 Universal Cable Gland is dual certified Exe/Exd, robust and for use with single wire armour 'W', wire braid 'X', steel tape armour 'Z', elastomer and plastic insulated cables. For particular use with cables that exhibit 'Cold Flow' characteristics. This cable gland is the first and only cable gland capable of being upgraded to a barrier type solution in the field. See below for more details. See technical section for installation rules and regulations.



International Approvals

**Cable Gland Selection Table**

Size Ref.	Entry Thread Size 'A'		Cable Acceptance Details						'G'	Hexagon Dimensions	
	Metric	NPT* Standard or Option	Inner Sheath		Outer Sheath 'B'		Armour / Braid 'C'			Across Flats	Across Corners
			Min.	Max.	Min.	Max.	Orientation 1	Orientation 2			
Os	M20 <sup>2</sup>	½"	3.5	8.1	5.5	12.0	0.8 / 1.25	0.0 / 0.8	58.4	24.0	26.5
O	M20 <sup>2</sup>	½"	6.5	11.4	9.5	16.0	0.8 / 1.25	0.0 / 0.8	58.4	24.0	26.5
A	M20	¾" or ½"	8.4	14.3	12.5	20.5	0.8 / 1.25	0.0 / 0.8	59.6	30.0	32.5
B	M25	1" or ¾"	11.1	19.7	16.9	26.0	1.25 / 1.6	0.0 / 0.7	66.4	36.0	39.5
C	M32	1¼" or 1"	17.6	26.5	22.0	33.0	1.6 / 2.0	0.0 / 0.7	71.2	46.0	50.5
C2	M40	1½" or 1¼"	23.1	32.5	28.0	41.0	1.6 / 2.0	0.0 / 0.7	75.2	55.0	60.6
D	M50	2" or 1½"	28.9	44.4 / 42.3 <sup>1</sup>	36.0	52.6	1.8 / 2.5	0.0 / 1.0	98.0	65.0	70.8
E	M63	2½" or 2"	39.9	56.3 / 54.3 <sup>1</sup>	46.0	65.3	1.8 / 2.5	0.0 / 1.0	94.4	80.0	88.0
F	M75	3" or 2½"	50.5	68.2 / 65.3 <sup>1</sup>	57.0	78.0	1.8 / 2.5	0.0 / 1.0	102.0	95.0	104.0
G	M80	3½"	67.0	73.0	75.0	89.5	2.0 / 3.5	0.0 / 1.0	90.6	106.4	115.0
H	M90	3½"	67.0	77.6	75.0	89.5	2.0 / 3.5	0.0 / 1.0	90.6	115.0	130.0
J	M100	4"	75.0	91.6	88.0	104.5	2.5 / 4.0	0.0 / 1.0	90.6	127.0	142.0

Os-F size metric entry threads are 1.5mm pitch as standard, 15mm length of thread. For G size glands and above, a 2mm pitch is supplied as standard, 20mm length of thread only (1.5mm pitch with 15mm length of thread can be supplied) please specify when ordering. G size and above are available in the 501/453/RAC design style.

All dimensions in millimetres (except \* where dimensions are in inches).

<sup>1</sup>Smaller value is applicable when selecting reduced NPT entry option.

<sup>2</sup>Sizes Os and O are available with an M16 thread size. For O size with M16 thread, the maximum cable inner sheath diameter is 10.9mm For alternative Armour Clamping Ring see table on Page 10

## Technical Data

Ingress Protection	IP66, IP67, IP68 (30 metres for 7 days) and IP69 (special conditions may apply) to IEC/EN 60529 and NEMA 4X
Deluge Protection	to DTS01
Operating Temperature	-60°C to +100°C
ATEX/IECEX	
ATEX/IECEX Protection Class	Ex II 2GD Ex db IIC Gb; Ex eb IIC Gb; Extb IIIC Db
ATEX Certificate No	CML 18ATEX1268X
IECEX Certificate No	IECEX CML 18.0131X
Construction & Test Standards	IEC/EN 60079-0, IEC/EN 60079-1, IEC/EN 60079-7 and IEC/EN 60079-31
Additional Certifications	EAC: TC RU C-GB HA91 B 0046 19 Inmetro: IEx 14.0272X KCs: 17-KA4BO-0138X to 0149X PESO: P450038 CNEX: CNEX17 2858X
NEC/CEC	
NEC Protection Class	Class I, Zone I, AEx eb IIC Gb; Zone 21, AEx tb IIIC Db
CEC Protection Class	Class I Div 2 ABCD, Class II Div 2 EFG and Class III Ex db IIC Gb; Ex eb IIC Gb
c CSA us Certificate	1015065
Construction & Test Standards	UL2225, UL1203, UL514B, CSA C22.2 NO. 0-10, CSA C22.2 NO. 174-18, CSA 22.2 60079-0, CSA 22.2 60079-1, CSA 22.2 60079-7 and CSA 22.2 60079-31

## Ordering Information

Format for ordering is as follows: Alternative Clamping Ring (AR), add suffix AR to ordering information

Cable Gland Type	Size	Thread	Material	(Optional)
501/453/UNIV	C	M32	Brass	AR
501/453/UNIV	C	1¼" NPT	NP Brass	AR

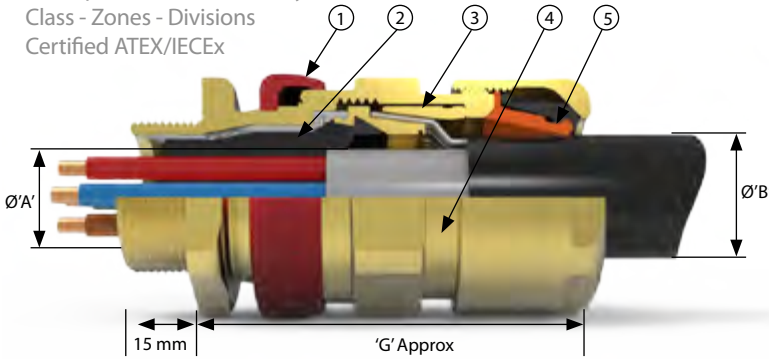
Example Code: 501/453/UNIV C M32 Stainless

Product design and specifications are subject to change without notice. Please check the Hawke website for latest specifications.



# ICG/653/UNIV

Flameproof, Increased Safety, Dust Protection  
Class - Zones - Divisions  
Certified ATEX/IECEx



- 1 Inspectable Deluge Seal  
- Offering IP66, IP67, IP68 & IP69 Ingress Protection
- 2 Transparent Elastomeric Fully Inspectable Compound Pot – compatible with both injectable resin and 2 part compound
- 3 Reversible Armour Clamp  
- For all types of armour and braid.
- 4 Patented Cable Gland Tightening Guide  
- Helps prevent damage caused by over tightening
- 5 Unique Rear Seal - Offering ultimate sealing over an extremely wide cable acceptance range

Dual certified Exe/Exd barrier gland, providing a seal around individual cable cores, especially for cables that exhibit "cold flow" characteristics, are not effectively filled, have hygroscopic fillers or contains fibre optic cores. For use with single wire armour 'W', wire braid 'X', steel tape armour 'Z' elastomer and plastic insulated cables. The ICG/653/UNIVERSAL is available with either ExPress liquid barrier resin or QSP 2-part hand mix compound, both with a cure time 30 minutes.

Cable Gland Selection Table

Size Ref.	Entry Thread Size 'A'		Cable Acceptance Details								'G'	Hexagon Dimensions	
	Metric	NPT* Standard or Option	Inner Sheath Cores				Outer Sheath 'B'		Armour Braid 'C'			Across Flats	Across Corners
			Max Inner Sheath 'E'	Max Over Core Diameter	Max No of Cores	Max No of Fibre Optic	Min	Max	Orientation 1	Orientation 2			
Os	M20	½"	8.1**	8	12	48	5.5	12	0.8 / 1.25	0.0 / 0.8	58.4	24	26.5
O	M20	½"	11.7	8.8	12	48	9.5	16	0.8 / 1.25	0.0 / 0.8	58.4	24	26.5
A	M20	¾" or ½"	14	10.8	15	72	12.5	20.5	0.8 / 1.25	0.0 / 0.8	60.6	30	32.5
B	M25	1" or ¾"	19.9	15.9	30	144	16.9	26	1.25 / 1.6	0.0 / 0.7	67.3	36	39.5
C	M32	1¼" or 1"	26.2	21.9	42	-	22	33	1.6 / 2.0	0.0 / 0.7	73.2	46	50.5
C2	M40	1½" or 1¼"	32.3	26.7	60	-	28	41	1.6 / 2.0	0.0 / 0.7	78.3	55	60.6
D	M50	2"	44.2	37.7	80	-	36	52.6	1.8 / 2.5	0.0 / 1.0	97.5	65	70.8
E	M63	2½"	56	49	100	-	46	65.3	1.8 / 2.5	0.0 / 1.0	93.5	80	88
F	M75	3"	68	59.8	120	-	57	78	1.8 / 2.5	0.0 / 1.0	104.5	95	104

All dimensions in millimetres (except \* where dimensions are in inches). Metric entry threads are 1.5mm pitch as standard, 15mm length of thread.

\*\*Recommended value to suit internal Express resin barrier. May be increased to 10 max if QSP compound or alternative Express resin barrier method are used.

## Technical Data

Ingress Protection	IP66, IP67, IP68 (30 metres for 7 days, special conditions may apply), IP69 to IEC/EN 60529 and NEMA 4X
Deluge Protection	to DTS01
Operating Temperature	-60°C to +80°C

### ATEX/IECEx

ATEX/IECEx Protection Class	Ex II 2GD Ex db IIC Gb; Ex eb IIC Gb; Extb IIIC Db
ATEX Certificate No	CML 18ATEX1268X
IECEx Certificate No	CML 18.0131X
Construction & Test Standards	IEC/EN 60079-0, IEC/EN 60079-1, IEC/EN 60079-7 and IEC/EN 60079-31
Additional Certifications	EAC: TC RU C-GB HA91 B 0046 19 Inmetro: IEx 14.0272X KCs: 17-KA4BO-0159X to 0167X PESO: P450038 CNEX: CNEx17 2858X

### NEC/CEC

NEC Protection Class	Class I Div 1 ABCD Class II Div 2 EFG and Class III Class I, Zone I, AEx db IIC Gb, AEx eb IIC Gb; Zone 21, AEx tb IIIC Db
CEC Protection Class	Class I Div 1 ABCD Class II Div 2 EFG and Class III Ex db IIC Gb; Ex eb IIC Gb; Ex tb IIIC Db
c CSA us Certificate	1024328
Construction & Test Standards	UL2225, UL1203, UL514B, CSA C22.2 NO. 0-10, CSA C22.2 NO. 174-18, CSA 22.2 60079-0, CSA 22.2 60079-1, CSA 22.2 60079-7 and CSA 22.2 60079-31

## Ordering Information

Format for ordering is as follows: Alternative Seal (AR), add suffix AR to ordering information

Cable Gland Type	Size	Thread	Barrier Type	Material	(Optional)
ICG 653/UNIV	C	M32	(Standard 2 part compound)	Brass	AR
ICG 653/UNIV	C	1 1/4 "	EP (ExPress Resin)	Brass	AR

Two part sealing compound and assembly instructions are supplied with the cable gland

For information on sealing options, see Page 10

Example Code: ICG 653/UNIV C M32 EP Stainless Steel

For all enquiries please contact Hawke Sales +44 (0) 141 810 9644 E: hhsales1@hubbell.com

www.ehawke.com



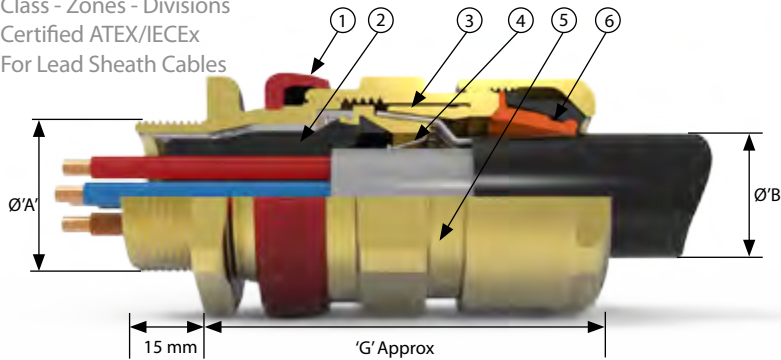
Alternative Reversible Armour Clamping Ring Size Selection		
Size Ref	Orientation 1	Orientation 2
B	0.9 - 1.25	0.5 - 0.9
C	1.2 - 1.6	0.6 - 1.2
C2	1.2 - 1.6	0.6 - 1.2
D	1.45 - 1.8	1.0 - 1.45
E	1.45 - 1.8	1.0 - 1.45
F	1.45 - 1.8	1.0 - 1.45





# ICG/653/UNIV/L

Flameproof, Increased Safety, Dust Protection  
 Class - Zones - Divisions  
 Certified ATEX/IECEX  
 For Lead Sheath Cables



- 1 Inspectable Deluge Seal  
- Offering IP66, IP67, IP68 & IP69 Ingress Protection
- 2 Transparent Elastomeric Fully Inspectable Compound Pot – compatible with both injectable resin and 2 part compound
- 3 Reversible Armour Clamp  
- For all types of armour and braid
- 4 Electrical Bond on the cables lead inner sheath
- 5 Patented Cable Gland Tightening Guide  
- Helps prevent damage caused by over tightening
- 5 Unique Rear Seal - Offering ultimate sealing over an extremely wide cable acceptance range

Dual certified fully inspectable Exe/Exd barrier gland providing a seal around individual cable cores on lead sheathed cables which are not effectively filled, have hygroscopic fillers or contains fibre optic cores. For use with single wire armour 'W', wire braid 'X', steel tape armour 'Z' elastomer and plastic insulated cables with a lead inner sheath. The ICG/653/UNIVERSAL/L is available with either ExPress liquid barrier resin or QSP 2-part hand mix compound, both with a cure time of 30 minutes.

Cable Gland Selection Table

Size Ref.	Entry Thread Size 'A'		Cable Acceptance Details								'G'	Hexagon Dimensions	
	Metric	NPT* Standard	Inner Sheath / Cores				Outer Sheath 'B'		Armour Braid 'C'			Across Flats	Across Corners
			Max Inner Sheath	Max Over Core Diameter	Max No of Cores	Max No of Fibre Optic	Min	Max	Orientation 1	Orientation 2			
Os	M20	½"	8.1	8.0	12	48.0	5.5	12.0	0.8/1.25	0.0/0.8	58.4	24.0	26.5
O	M20	½"	10.2	8.8	12	48.0	9.5	16.0	0.8/1.25	0.0/0.8	58.4	24.0	26.5
A	M20	¾" or ½"	12.5	10.8	15	72.0	12.5	20.5	0.8/1.25	0.0/0.8	60.6	30.0	32.5
B	M25	1" or ¾"	18.0	15.9	30	144.0	16.9	26.0	1.25/1.6	0.0/0.7	67.3	36.0	39.5
C	M32	1¼" or 1"	24.3	21.9	42	-	22.0	33.0	1.6/2.0	0.0/0.7	73.2	46.0	50.5
C2	M40	1½" or 1¼"	30.3	26.7	60	-	28.0	41.0	1.6/2.0	0.0/0.7	78.3	55.0	60.6
D	M50	2"	41.9	37.7	80	-	36.0	52.6	1.8/2.5	0.0/1.0	97.5	65.0	70.8
E	M63	2½"	52.9	49.0	100	-	46.0	65.3	1.8/2.5	0.0/1.0	93.5	80.0	88.0
F	M75	3"	64.9	59.8	120	-	57.0	78.0	1.8/2.5	0.0/1.0	104.5	95.0	104.0

All dimensions in millimetres (except \* where dimensions are in inches). Metric entry threads are 1.5mm pitch as standard, 15mm length of thread.

## Technical Data

Ingress Protection	IP66, IP67, IP68 (30 metres for 7 days, special conditions may apply), IP69 to IEC/EN 60529 and NEMA 4X
Deluge Protection	to DTS01
Operating Temperature	-60°C to +80°C

### ATEX/IECEX

ATEX/IECEX Protection Class	Ex II 2GD Ex db IIC Gb; Ex eb IIC Gb; Ex tb IIIC Db
ATEX Certificate No	CML 18ATEX1268X
IECEX Certificate No	CML 18.0131X
Construction & Test Standards	IEC/EN 60079-0, IEC/EN 60079-1, IEC/EN 60079-7 and IEC/EN 60079-31
Additional Certifications	EAC: TC RU C-GB HA91 B 0046 19 Inmetro: IEx 14.0272X KCs: 17-KA4BO-0159X to 0167X PESO: P450038 CNEX: CNEx17 2858X

### NEC/CEC

NEC Protection Class	Class I Div 1 ABCD Class II Div 2 EFG and Class III Class I, Zone I, AEx db IIC Gb, AEx eb IIC Gb; Zone 21, AEx tb IIIC Db
CEC Protection Class	Class I Div 1 ABCD Class II Div 2 EFG and Class III Ex db IIC Gb; Ex eb IIC Gb; Ex tb IIIC Db
c CSA us Certificate	1024328
Construction & Test Standards	UL2225, UL1203, UL514B, CSA C22.2 NO. 0-10, CSA C22.2 NO. 174-18, CSA 22.2 60079-0, CSA 22.2 60079-1, CSA 22.2 60079-7 and CSA 22.2 60079-31

Alternative Reversible Armour Clamping Ring Size Selection		
Size Ref	Orientation 1	Orientation 2
B	0.9 - 1.25	0.5 - 0.9
C	1.2 - 1.6	0.6 - 1.2
C2	1.2 - 1.6	0.6 - 1.2
D	1.45 - 1.8	1.0 - 1.45
E	1.45 - 1.8	1.0 - 1.45
F	1.45 - 1.8	1.0 - 1.45

### Ordering Information

Format for ordering is as follows: Alternative Seal (AR), add suffix AR to ordering information

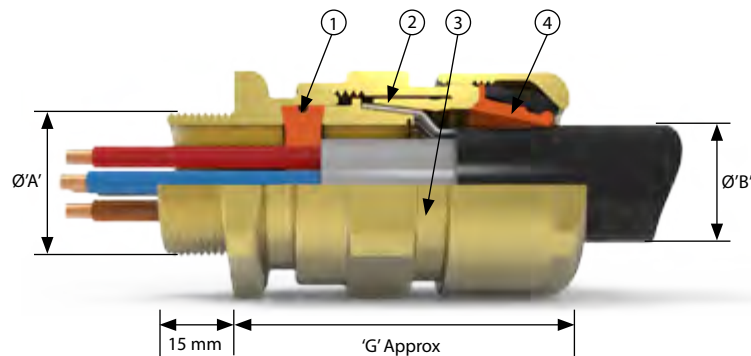
Cable Gland Type	Size	Thread	Barrier Type	Material	(Optional)
ICG 653/UNIV/L	C	M32	(Standard 2 part compound)	Brass	AR
ICG 653/UNIV/L	C	1¼"	EP (ExPress Resin)	Brass	AR

Two part sealing compound and assembly instructions are supplied with the cable gland  
 Example Code: ICG 653/UNIV /L C M32 EP Stainless Steel



# PSG 553 RAC

Flameproof Exd & Increased Safety Exe  
Dual Certified ATEX / IECEx



- 1 Provides a barrier seal to the individual insulated cores within the cable and prevents entry of the products of an explosion into the cable. The required number of holes for the cores are punched in the seal by a special tool to suit core size
- 2 Provides armour clamping using one clamping arrangement for all armour/braid types
- 3 Provides a cable retention and low smoke and fume, zero halogen seal onto the cables outer sheath

The PGS/553/RAC dual certified Exe/Exd gland offers an instant barrier seal around the individual cable cores, with the silicon seal forming a barrier around the individual cores of a cable. This results in unparalleled speed of installation, inspection and flexibility, with no need for compounds or resin to achieve the Exd barrier seal, no curing time and instant gland completion.

## Cable Gland Selection Table

Size Ref.	Entry Thread Size 'A'		Cable Acceptance Details				'G'	Hexagon Dimensions	
	Metric	NPT* Standard or Option	Outer Sheath 'B'		Armour / Braid 'C'			Length	Across Flats
			Min	Max	Orientation 1	Orientation 2			
A	M20	¾" or ½"	12.5	20.5	0.8 / 1.25	0.0 / 0.8	53	30.0	32.5
B	M25	1" or ¾"	16.9	26.0	1.25 / 1.6	0.0 / 0.7	59.5	36.0	39.5
C	M32	1¼" or 1"	22.0	33.0	1.6 / 2.0	0.0 / 0.7	64	46.0	50.5

## Technical Data

Ingress Protection	IP66, IP67 and IP68 (30 metres for 7 days, special conditions may apply) to IEC/EN 60529 and NEMA 4X
Deluge Protection	to DTS01
Operating Temperature	-60°C to +80°C
ATEX/IECEx	
ATEX/IECEx Protection Class	Ex II 2GD Ex db IIC Gb; Ex eb IIC Gb; Extb IIIC Db
ATEX Certificate No	CML 19ATEX1167X
IECEx Certificate No	CML 19.0045X
Construction & Test Standards	IEC/EN 60079-0, IEC/EN 60079-1, IEC/EN 60079-7 and IEC/EN 60079-31
Additional Certifications	EAC: TC RU C-GB HA91 B 0046 19 Inmetro: IEx 14.0272X PESO: P450038 CNEX: CNEX17 2858X

## Alternative Reversible Armour Clamping Ring Size Selection

Size Ref	Orientation 1	Orientation 2
B	0.9 - 1.25	0.5 - 0.9
C	1.2 - 1.6	0.6 - 1.2

## Ordering Information

Format for ordering is as follows: To obtain punch tool required, refer to tables

Cable Gland Type	Size	Thread	Punch Tool Required
PSG/553/RAC	C	M32	Punch Tool No. 1
PSG/553/RAC	C	1¼" NPT	Punch Tool No. 1

Order Example: PSG/553/RAC C M32 Punch Tool No. 1

For information on sealing options, see Page 10

International Approvals



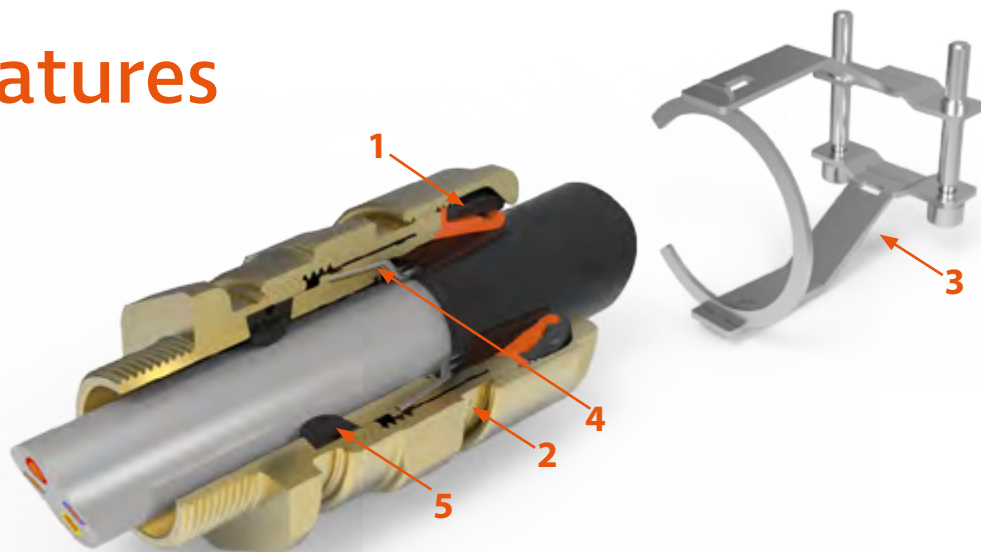


# Compression Glands

A compression gland utilises a polymer sealing element to seal on the inner sheath, outer sheath, or both inner and outer sheath's. It is used to protect against water and dust ingress, secure the cable to equipment and in some cases, provide explosion protection in the event of an ignition.



# Features



501/453/RAC

## 1 Unique Rear Sealing System

This arrangement offers IP66, IP67, IP68 (30 metres for 7 days), NEMA 4X and Deluge (DTS01) Ingress Protection. The seal is manufactured from a silicone material, has LSFZH properties, is ozone and oil resistant and is suitable for use at both high and low temperatures. The Rear Sealing System covers the entire range of cable diameters without the need for special seals and the cable acceptance range is stamped on the backnut for ease of inspection. The backnut can be hand tightened, with only one further spanner turn required to ensure IP66, IP67, IP68 and NEMA 4X.

## 2 Cable Tightening Guide

To help address issues with the overtightening of cable glands and the resultant damage to cables and seals, Hawke International has developed the patented INBUILT TIGHTENING GUIDE. Removing the need for fiddly measuring systems, the guide provides a permanent visual indication of the gland tightness through installation, inspection and maintenance. The gland is permanently marked with various lines/numbers indicating the correct tightening level related to the cable diameter. The backnut, once tightened to the line corresponding to the cable diameter, ensures there is no cable damage whilst still maintaining IP and pull-out.

## 3 100% Pull-Out Clamp (optional)

All Hawke Cable glands can be fitted with the optional 100% pull-out clamp. This cost effective solution removes the need to separately clamp/cleat cable, by taking care of this requirement as part of the gland assembly. Unlike other manufacturers, who utilise the rear ingress protection seal to offer pull-out resistance, the Hawke pull-out clamp keeps these 2 functions separate, ensuring neither is compromised and both components act independently.

## 4 The Original Reversible Armour Clamp

The original RAC clamping system was invented by Hawke over 10 years ago and is a well established proven performer in all conditions. Simply by reversing the clamping ring, the cable gland can adjust to accommodate all types of cable armour or braid. Unlike many of our competitors, the correct stamping orientation is marked clearly with the armour size and backed up by the presence of a groove in the component. Hawke's RAC clamping system is also fully inspectable when positioned on the cable.

## 5 Thermoset (TSE) Compression Seal

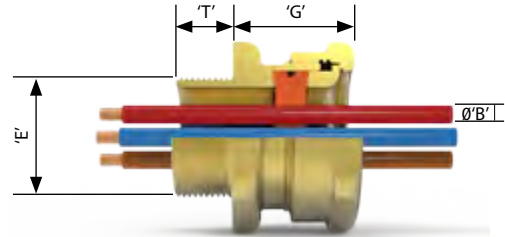
Cross-linked (vulcanised) during the moulding process with the application of heat and pressure. Once formed, they will not 'melt' and will exhibit optimum sealing properties over a wide range of temperatures as well as recovery from deformation (compression set).

# PSG/421

Flameproof, Increased Safety, Dust Protection  
Certified ATEX / IECEx



- Allows the termination of multiple unarmoured cables into one singular cable entry
- The required number of holes for the cores are punched in the seal by a special tool to suit the core size



The PSG/421 dual certified Exe/Exd gland offers an instant barrier seal around individual cables, with each silicone seal accepting a wide variance of cable diameters. This results in unparalleled speed of installation, inspection and flexibility, with no need for compounds or resin to achieve the Exd barrier seal, no curing time and instant gland completion. Each gland allows for multiple cables to be fitted into a single entry



International Approvals

Cable Gland Selection Table					
Size Ref.	Entry Thread Size 'E'		Fully Compressed Length 'G'	Hexagon Dimensions	
	Metric	NPT* Standard or Option		Across Flats	Across Corners
O	M20	¾" or ½"	23.8	24.0	26.5
A	M20	¾" or ½"	24.8	30.0	32.5
B	M25	1" or ¾"	25.8	36.0	39.5
C	M32	1¼" or 1"	28.2	46.0	50.5

\*Metric entry threads are 1.5mm pitch as standard, 15mm length of thread. All dimensions in millimetres (except \* where dimensions are in inches)

Technical Data	
Ingress Protection	IP66, IP67 and IP68 (30 metres for 7 days, special conditions may apply) to IEC/EN 60529 and NEMA 4X
Deluge Protection	to DTS01
Operating Temperature	-60°C to +80°C
ATEX/IECEx	
ATEX/IECEx Protection Class	Ex II 2GD Ex db IIC Gb; Ex eb IIC Gb; Ex tb IIIC Db
ATEX Certificate No	CML 19ATEX1167X
IECEx Certificate No	CML 19.0045X
Construction & Test Standards	IEC/EN 60079-0, IEC/EN 60079-1, IEC/EN 60079-7 and IEC/EN 60079-31
Additional Certifications	EAC: TC RU C-GB HA91 B 0046 19 Inmetro: IEx 14.0272X PESO: P450038 CNEX: CNEx17 2858X

Cable Gland Size for Core Size and Number					
Max No. of Cores	Cores Cross Sectional Area mm <sup>2</sup>				
	1.5	2.5	4	6	10
7	A & B	A & B	B & C	C	C
4	O	-	-	B	-
3	-	O	-	-	B

Punch Tool Size Details			
Punch Ref	No. 1	No. 2	No. 3
Cores C.S.A.mm2	1.5-2.5	4.0-6.0	10

Ordering Information				
Format for ordering is as follows:			To obtain punch tool required, refer to tables	
Cable Gland Type	Size	Thread	Material	Punch Tool Required
PSG/421	C	M32	Brass	Punch Tool No. 1
PSG/421	C	1¼" NPT	Brass	Punch Tool No. 1

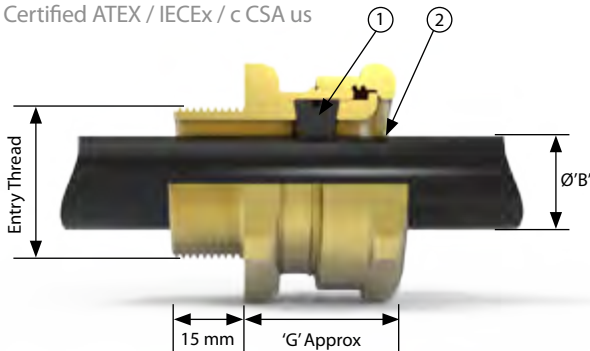
Order Example: PSG/421 C M32 Brass Punch Tool No. 1





# 501/421

Flameproof, Increased Safety, Dust Protection  
Class - Zones  
Certified ATEX / IECEx / c CSA us



- 1 Elastomeric Exd flameproof and Exe Increased Safety seal on cable outer sheath
- 2 Rounded Cable entry to prevent cable damage

The 501/421 dual certified Exe/Exd cable gland is intended for use on non-armoured elastomer and plastic insulated cables.

This cable gland may be used with braided cables where the braid and outer sheath pass into the enclosure.

The braid must then be suitably terminated inside the enclosure. For Exd applications, the cable must be suitable in compliance with BS EN 60079-14.

## Cable Gland Selection Table

Size Ref.	Entry Thread Size 'A'		Cable Acceptance Details				'G'	Hexagon Dimensions	
	Metric	NPT* Standard	Outer Sheath 'B'					Across Flats	Across Corners
			Standard Seal		Alternative Seal (S)				
			Min.	Max.	Min.	Max.			
2K	M16	—	3.2	8.0	—	—	23.5	19.0	21.2
Os	M20 <sup>2</sup>	½"	3.2	8.0	—	—	23.8	24.0	26.5
O	M20 <sup>2</sup>	½"	6.5	11.9	—	—	23.8	24.0	26.5
A	M20	¾" or ½"	10.0	14.3	9.0	13.4	24.8	30.0	32.5
B	M25	1" or ¾"	13.0	20.2	9.5	15.4	25.8	36.0	39.5
C	M32	1¼" or 1"	19.5	26.5	15.5	21.2	29.2	46.0	50.5
C2	M40	1½" or 1¼"	25.0	32.5	22	28	30.5	55.0	60.6
D	M50	2" or 1½"	31.5	44.4 / 42.3 <sup>1</sup>	27.5	34.8	40.4	65.0	70.8
E	M63	2½" or 2"	42.5	56.3 / 54.3 <sup>1</sup>	39	46.5	38.2	80.0	88.0
F	M75	3" or 2½"	54.5	68.2 / 65.3 <sup>1</sup>	49.5	58.3	40.5	95.0	104.0
G	M80	3½"	67.0	73.0	—	—	41	106.4	115.0
H	M90	3½"	67.0	77.6	—	—	41.0	115.0	130.0
J	M100	4"	75.0	91.6	—	—	41.0	127.0	142.0

2K to F size metric entry threads are 1.5mm pitch as standard, 15mm length of thread. For G size glands and above, a 2mm pitch is supplied as standard, 20mm length of thread (15mm pitch with 15mm length of thread can be supplied) please specify when ordering. All dimensions in millimetres (except \* where dimensions are in inches).

<sup>1</sup>Smaller value is applicable when selecting reduced NPT entry option.

<sup>2</sup>Sizes Os and O are available with an M16 thread size. For O size with M16 thread, the maximum cable outer sheath diameter is 10.9mm

## Technical Data

Ingress Protection	IP66, IP67 and IP68 (30 metres for 7 days, special conditions may apply) to IEC/EN 60529 and NEMA 4X
Deluge Protection	Deluge Protection to DTS01
Operating Temperature	-60°C to +100°C
ATEX/IECEx	
ATEX/IECEx Protection Class	Ex II 2GD Ex db IIC Gb; Ex eb IIC Gb; Ex tb IIIC Db
ATEX Certificate No	CML 19ATEX1167X
IECEx Certificate No	CML 19.0045X
Construction & Test Standards	IEC/EN 60079-0, IEC/EN 60079-1, IEC/EN 60079-7 and IEC/EN 60079-31
Additional Certifications	EAC: RU C-GB.AA87.B.00430 Inmetro: IEx 14.0272X KCs: KTL 17-KA4BO-0120X to 0128X India: PESO P450038 China: CNEx17 2858X
NEC / CEC	
NEC Protection Class	Class I, Zone I, AEx eb IIC Gb; Zone 21, AEx tb IIIC Db
CEC Protection Class	Class I, Div.2 Groups ABCD; Class II Div.2, Groups EFG; Class III Ex db IIC Gb; Ex eb IIC Gb
c CSA us Certificate Number	CSA1015065
Construction & Test Standards	UL 60079-0, UL 60079-7, UL 60079-31, CSA 22.2 No: 60079-0, CSA 22.2 No: 60079-1, CSA 22.2 No: 60079-7, CSA 22.2 No: 60079-31, UL514B; UL1203; UL 2225

### Ordering Information

Format for ordering is as follows: Alternative Seal (S), add suffix S to ordering information

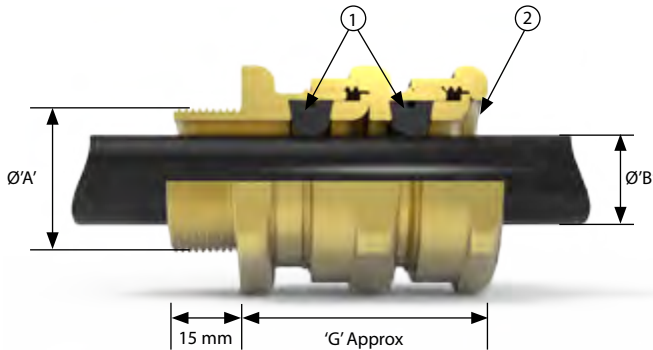
Cable Gland Type	Size	Thread	Material	(Optional)
501/421	C	M32	Brass	S
501/421	C	1¼" NPT	Brass	S

Order Example: 501/421 C M32 Brass S



# 501/423

Flameproof, Increased Safety, Dust Protection  
Class - Zones  
Certified ATEX / IECEx / c CSA us



- 1 Two Independent Elastomeric Exd flameproof seals on cable outer sheath – The double seals provide superior cable retention over standard unarmoured Cable Glands
- 2 Rounded Cable entry to prevent cable damage

The 501/423 dual certified Exe/Exd cable gland incorporates two independent seals and is intended for use on non-armoured elastomer and plastic insulated cables. This cable gland may be used with braided cables where the braid and outer sheath pass into the enclosure. For Exd application the cable must be suitable inline with 60079-14. The braid must then be suitably terminated inside the enclosure. The two seals provide superior cable retention over standard unarmoured cable glands. See technical section for installation rules and regulations.

**Cable Gland Selection Table**

Size Ref.	Entry Thread Size 'A'		Cable Acceptance Details				'G'	Hexagon Dimensions	
	Metric	NPT* Standard	Outer Sheath 'B'					Across Flats	Across Corners
			Standard Seal		Alternative Seal (S)				
			Min.	Max.	Min.	Max.			
Os	M20 <sup>2</sup>	½"	3.2	8.0	–	–	40.0	24.0	26.5
O	M20 <sup>2</sup>	½"	6.5	11.9	–	–	40.0	24.0	26.5
A	M20	¾" or ½"	10.0	14.3	9.0	13.4	40.4	30.0	32.5
B	M25	1" or ¾"	13.0	20.2	9.5	15.4	44.3	36.0	39.5
C	M32	1¼" or 1"	19.5	26.5	15.5	21.2	47.2	46.0	50.5
C2	M40	1½" or 1¼"	25.0	32.5	22.0	28.0	49.5	55.0	60.6
D	M50	2" or 1½"	31.5	44.4 / 42.3 <sup>1</sup>	27.5	34.8	72.5	65.0	70.8
E	M63	2½" or 2"	42.5	56.3 / 54.3 <sup>1</sup>	39.0	46.5	64.8	80.0	88.0
F	M75	3" or 2½"	54.5	68.2 / 65.3 <sup>1</sup>	49.5	58.3	68.0	95.0	104.0
G	M80	3½"	67.0	73.0	–	–	68.0	106.4	115.0
H	M90	3½"	67.0	77.6	–	–	68.0	115.0	130.0
J	M100	4"	75.0	91.6	–	–	68.0	127.0	142.0

Os to F size metric entry threads are 1.5mm pitch as standard, 15mm length of thread. For G size glands and above, a 2mm pitch is supplied as standard, 20mm length of thread (1.5mm pitch with 15mm length of thread can be supplied) please specify when ordering. All dimensions in millimetres (except \* where dimensions are in inches).

<sup>1</sup>Smaller value is applicable when selecting reduced NPT entry option.  
<sup>2</sup>Sizes Os and O are available with an M16 thread size. For O size with M16 thread, the maximum cable outer sheath diameter is 10.9mm

## Technical Data

Ingress Protection	IP66, IP67 and IP68 (30 metres for 7 days, special conditions may apply) to IEC/EN 60529 and NEMA 4X
Deluge Protection	Deluge Protection to DTS01
Operating Temperature	-60°C to +100°C

ATEX/IECEx

ATEX/IECEx Protection Class	Ex II 2GD Ex db IIC Gb; Ex eb IIC Gb; Ex tb IIIC Db
ATEX Certificate No	CML 19ATEX1167X
IECEx Certificate No	CML 19.0045X
Construction & Test Standards	IEC/EN 60079-0, IEC/EN 60079-1, IEC/EN 60079-7 and IEC/EN 60079-31
Additional Certifications	EAC: RU C-GB.AA87.B.00430 Inmetro: IEx 14.0272X India: PESO P450038 China: CNEC17 2858X

NEC / CEC

NEC Protection Class	Class I, Zone I, AEx eb IIC Gb; Zone 21, AEx tb IIIC Db
CEC Protection Class	Class I, Div.2 Groups ABCD; Class II Div.2, Groups EFG; Class III Ex db IIC Gb; Ex eb IIC Gb
c CSA us Certificate Number	CSA1015065
Construction & Test Standards	UL 60079-0, UL 60079-7, UL 60079-31, CSA 22.2 No: 60079-0, CSA 22.2 No: 60079-1, CSA 22.2 No: 60079-7, CSA 22.2 No: 60079-31, UL514B; UL1203; UL 2225



### Ordering Information

Format for ordering is as follows: Alternative Seal (S), add suffix S to ordering information

Cable Gland Type	Size	Thread	Material	(Optional)
501/423	C	M32	Brass	S
501/423	C	1¼" NPT	Brass	S

Order Example: 501/423 C M32 Brass S

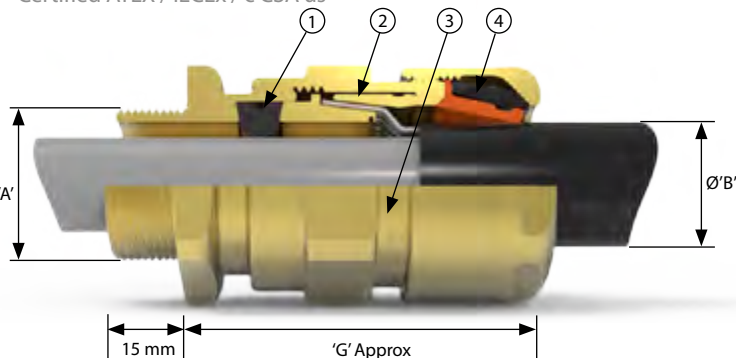


MADE IN BRITAIN

# 501/453/RAC

Flameproof, Increased Safety, Dust Protection  
Class - Zones  
Certified ATEX / IECEx / c CSA us

International Approvals



- 1 Elastomeric Exd flameproof seal on cable inner sheath
- 2 Reversible Armour Clamp - For all types of armour and braid.
- 3 Patented Cable Gland Tightening Guide - Helps prevent damage caused by over tightening
- 4 Unique Rear Seal - Offering ultimate sealing over an extremely wide cable acceptance range

The 501/453/RAC Cable Gland is dual certified Exe/Exd, robust and for use with single wire armour 'W', wire braid 'X', steel tape armour 'Z', elastomer and plastic insulated cables. The gland provides an elastomeric seal on the cable inner sheath, and a low smoke, zero halogen IP and retention seal onto the cable outer sheath. See technical section for installation rules and regulations

## Cable Gland Selection Table

Size Ref.	Entry Thread Size 'A'		Cable Acceptance Details								Hexagon Dimensions		
	Metric	NPT* Standard	Inner Sheath				Outer Sheath 'B'		Armour Braid 'C'		'G'	Across Flats	Across Corners
			Standard Seal		Alternative Seal (S)		Min	Max	Orientation 1	Orientation 2			
			Min	Max	Min	Max	Min	Max					
Os	M20 <sup>2</sup>	½"	3.2	8.0	-	-	5.5	12.0	0.8 / 1.25	0.0 / 0.8	52.0	24.0	26.5
O	M20 <sup>2</sup>	½"	6.5	11.9	-	-	9.5	16.0	0.8 / 1.25	0.0 / 0.8	52.0	24.0	26.5
A	M20	¾" or ½"	10.0	14.3	9.0	13.4	12.5	20.5	0.8 / 1.25	0.0 / 0.8	53.0	30.0	32.5
B	M25	1" or ¾"	13.0	20.2	9.5	15.4	16.9	26.0	1.25 / 1.6	0.0 / 0.7	59.5	36.0	39.5
C	M32	1¼" or 1"	19.5	26.5	15.5	21.2	22.0	33.0	1.6 / 2.0	0.0 / 0.7	64.0	46.0	50.5
C2	M40	1½" or 1¼"	25.0	32.5	22.0	28.0	28.0	41.0	1.6 / 2.0	0.0 / 0.7	68.3	55.0	60.6
D	M50	2" or 1½"	31.5	44.4 / 42.3 <sup>1</sup>	27.5	34.8	36.0	52.6	1.8 / 2.5	0.0 / 1.0	79.0	65.0	70.8
E	M63	2½" or 2"	42.5	56.3 / 54.3 <sup>1</sup>	39.0	46.5	46.0	65.3	1.8 / 2.5	0.0 / 1.0	78.4	80.0	88.0
F	M75	3" or 2½"	54.5	68.2 / 65.3 <sup>1</sup>	49.5	58.3	57.0	78.0	1.8 / 2.5	0.0 / 1.0	83.7	95.0	104.0
G	M80	3½"	67.0	73.0	-	-	75.0	89.5	2.0 / 3.5	0.0 / 1.0	95.6	106.4	115.0
H	M90	3½"	67.0	77.6	-	-	75.0	89.5	2.0 / 3.5	0.0 / 1.0	95.6	115.0	130.0
J	M100	4"	75.0	91.6	-	-	88.0	104.5	2.5 / 4.0	0.0 / 1.0	95.6	127.0	142.0

Os - F size metric entry threads are 1.5mm pitch as standard, 15mm length of thread. For G size glands and above, a 2mm pitch is supplied as standard, 20mm length of thread (1.5mm pitch with 15mm length of thread can be supplied) please specify when ordering. All dimensions in millimetres (except \* where dimensions are in inches)

<sup>1</sup> Smaller value is applicable when selecting reduced NPT entry option.

<sup>2</sup> Sizes Os and O are available with an M16 thread size. For O size with M16 thread, the maximum cable outer sheath diameter is 10.9mm

Brass NPT entries are nickel plated as standard.

## Technical Data

Ingress Protection	IP66, IP67 and IP68 (30 metres for 7 days, special conditions may apply) to IEC/EN 60529 and NEMA 4X
Deluge Protection	to DTS01
Operating Temperature	-60°C to +100°C
ATEX/IECEx	
ATEX/IECEx Protection Class	Ex II 2GD Ex db IIC Gb; Ex eb IIC Gb; Extb IIIC Db
ATEX Certificate No	CML 19ATEX1167X
IECEx Certificate No	CML 19.0045X
Construction & Test Standards	IEC/EN 60079-0, IEC/EN 60079-1, IEC/EN 60079-7 and IEC/EN 60079-31
Additional Certifications	EAC: TC RU C-GB HA91 B 0046 19 Inmetro: IEx 14.0272X KCs: 17-KA4BO-0129X to 0137X PESO: P450038 CNEX: CNEx17 2858X
NEC/CEC	
NEC Protection Class	Class I, Zone I, AEx eb IIC Gb; Zone 21, AEx tb IIIC Db
CEC Protection Class	Class I Div 2 ABCD, Class II Div 2 EFG and Class III Ex db IIC Gb; Ex eb IIC Gb
c CSA us Certificate	CSA1015065
Construction & Test Standards	UL 60079-0, UL 60079-7, UL 60079-31, CSA 22.2 No: 60079-0, CSA 22.2 No: 60079-1, CSA 22.2 No: 60079-7, CSA 22.2 No: 60079-31, UL514B; UL1203; UL 2225

Alternative Reversible Armour Clamping Ring Size Selection		
Size Ref	Steel Wire Armour / Braid / Tape	
	Orientation 1	Orientation 2
B	0.9 - 1.25	0.5 - 0.9
C	1.2 - 1.6	0.6 - 1.2
C2	1.2 - 1.6	0.6 - 1.2
D	1.45 - 1.8	1.0 - 1.45
E	1.45 - 1.8	1.0 - 1.45
F	1.45 - 1.8	1.0 - 1.45

### Ordering Information

Format for ordering is as follows: Alternative Seal (S), Alternative Ring (AR), add suffix S and/or AR to ordering information

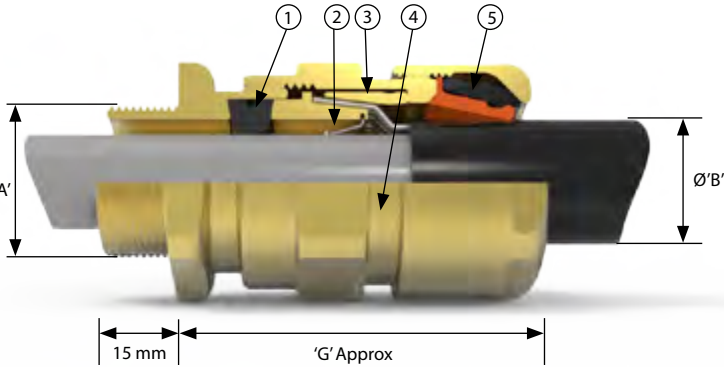
Cable Gland Type	Size	Thread	Material	(Optional)
501/453/RAC	C	M32	Brass	AR
501/453/RAC	C	1¼" NPT	Brass	S

Order Example: 501/453/RAC C M32 BRASS AR



# 501/453/RAC/L

Flameproof, Increased Safety, Dust Protection  
Class - Zones Certified ATEX / IECEx / c CSA us  
For Lead Sheath Cables



- 1 Elastomeric Exd flameproof seal on cable inner sheath
- 2 Reversible Armour Clamp - For all types of armour and braid
- 3 Patented Cable Gland Tightening Guide - Helps prevent damage caused by over tightening
- 4 Unique Rear Seal - Offering ultimate sealing over an extremely wide cable acceptance range

The 501/453/RAC Cable Gland is dual certified Exe/Exd, robust and for use with single wire armour 'W', wire braid 'X', steel tape armour 'Z', elastomer and plastic insulated cables. The gland provides an elastomeric seal on the cable inner sheath, and a low smoke, zero halogen IP and retention seal onto the cable outer sheath. See technical section for installation rules and regulations.

## Cable Gland Selection Table

Size Ref.	Entry Thread Size 'A'		Cable Acceptance Details								'G'	Hexagon Dimensions	
	Metric	NPT* Standard	Inner Sheath				Outer Sheath 'B'		Armour Braid 'C'			Across Flats	Across Corners
			Std Seal (L) Seal + Bond	Alt Seal (K) Seal + Bond	Min	Max	Min	Max	Orientation 1	Orientation 2			
O	M20 <sup>2</sup>	½"	6.5	10.2	-	-	9.5	16.0	0.8/1.25	0.0/0.8	52.0	24.0	26.5
A	M20	¾" or ½"	-	-	9	12.5	12.5	20.5	0.8/1.25	0.0/0.8	53.0	30.0	32.5
B	M25	1" or ¾"	13.0	18	9.5	15.4	16.9	26.0	1.25/1.6	0.0/0.7	59.5	36.0	39.5
C	M32	1¼" or 1"	19.5	24.3	16	21.2	22.0	33.0	1.6/2.0	0.0/0.7	64.0	46.0	50.5
C2	M40	1½" or 1¼"	25.0	30.3	22	28	28.0	41.0	1.6/2.0	0.0/0.7	68.3	55.0	60.6
D	M50	2" or 1½"	31.5	41.9	27.5	34.8	36.0	52.6	1.8/2.5	0.0/1.0	79.0	65.0	70.8
E	M63	2½" or 2"	42.5	52.9	39	46.5	46.0	65.3	1.8/2.5	0.0/1.0	78.4	80.0	88.0
F	M75	3" or 2½"	54.5	64.9/64.3 <sup>1</sup>	49.5	58.3	57.0	78.0	1.8/2.5	0.0/1.0	83.7	95.0	104.0
G	M80	3½"	67.0	70	-	-	75.0	89.5	2.0/3.5	0.0/1.0	95.6	106.4	115.0
H	M90	3½"	67.0	75.0	-	-	75.0	89.5	2.0/3.5	0.0/1.0	95.6	115.0	130.0
J	M100	4"	75.0	89.5	-	-	88.0	104.5	2.5/4.0	0.0/1.0	95.6	127.0	142.0

O - F size metric entry threads are 1.5mm pitch as standard, 15mm length of thread. For G size glands and above, a 2mm pitch is supplied as standard, 20mm length of thread (1.5mm pitch with 15mm length of thread can be supplied) please specify when ordering. All dimensions in millimetres (except \* where dimensions are in inches)

<sup>1</sup> Smaller value is applicable when selecting reduced NPT entry option.

<sup>2</sup> Size O is available with an M16 thread size. For O size with M16 thread, the maximum cable outer sheath diameter is 10.9mm

Brass NPT entries are nickel plated as standard.

## Technical Data

Ingress Protection	IP66, IP67 and IP68 (30 metres for 7 days, special conditions may apply) to IEC/EN 60529 and NEMA 4X
Deluge Protection	to DTS01
Operating Temperature	-60°C to +100°C

### ATEX/IECEx

ATEX/IECEx Protection Class	Ex II 2GD Ex db IIC Gb; Ex eb IIC Gb; Extb IIIC Db
ATEX Certificate No	CML 19ATEX1167X
IECEx Certificate No	CML 19.0045X
Construction & Test Standards	IEC/EN 60079-0, IEC/EN 60079-1, IEC/EN 60079-7 and IEC/EN 60079-31
Additional Certifications	EAC: TC RU C-GB HA91 B 0046 19 Inmetro: IEx 14.0272X KCs: 17-KA4BO-0129X to 0137X PESO: P450038 CNEX: CNEx17 2858X

### NEC/CEC

NEC Protection Class	Class I, Zone I, AEx eb IIC Gb; Zone 21, AEx tb IIIC Db
CEC Protection Class	Class I Div 2 ABCD, Class II Div 2 EFG and Class III Ex db IIC Gb; Ex eb IIC Gb
c CSA us Certificate	CSA1015065
Construction & Test Standards	UL 60079-0, UL 60079-7, UL 60079-31, CSA 22.2 No: 60079-0, CSA 22.2 No: 60079-1, CSA 22.2 No: 60079-7, CSA 22.2 No: 60079-31, UL514B; UL1203; UL 2225



Alternative Reversible Armour Clamping Ring Size Selection		
Size Ref	Steel Wire Armour / Braid / Tape	
	Orientation 1	Orientation 2
B	0.9 - 1.25	0.5 - 0.9
C	1.2 - 1.6	0.6 - 1.2
C2	1.2 - 1.6	0.6 - 1.2
D	1.45 - 1.8	1.0 - 1.45
E	1.45 - 1.8	1.0 - 1.45
F	1.45 - 1.8	1.0 - 1.45

### Ordering Information

Format for ordering is as follows: Alternative Seal (S), Alternative Ring (AR), add suffix S and or AR to ordering information

Cable Gland Type	Size	Thread	Material	(Optional)
501/453/RAC/L	C	M32	Brass	AR
501/453/RAC/L	C	1¼" NPT	Brass	AR

Order Example: 501/453/RAC/L C M32 Brass AR

## Simplify Your Engineering Needs

Design Enclosures, Connectors and Control Stations  
with our free web-based application.



- Completely Free
- Error free 2D drawings and 3D models ready in minutes
- For Connectors, Enclosures and Control Stations
- Export drawings in pdf or .dwg and .stp CAD formats
- Receive a full bill of materials with your drawings
- Get pre-calculated power ratings
- DesignHUBB code for easy ordering



Go to [www.hubbell.com/hawke/en/designhubb](http://www.hubbell.com/hawke/en/designhubb) to start saving time now



# Barrier Glands

A barrier gland is a cable gland that provides a seal around the individual cores of a cable to maintain the flameproof integrity of Exd equipment.

These glands meet the requirements of IEC 60079-1 and employ a compound seal, or other sealing method, around each core to prevent the migration of an explosion from within a piece of flameproof equipment to the outside atmosphere.

Hawke International has a comprehensive, and UNIQUE range of barrier glands offering numerous features and benefits not to be found from other manufacturers.

## 3 Seal Options - ALL FULLY INSPECTABLE!

Hawke International is the *only* cable gland manufacturer to offer 3 solutions to Exd barrier glanding:

- **QSP 2-part Hand Mix Putty**

Simple to use with a cure time from 30 minutes. Particularly useful where termination space is limited or cables are running horizontally to the installation area. Can be inspected and repaired if necessary, allowing for the very highest level of safety.

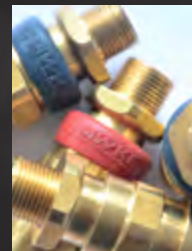
- **ExPress Barrier Resin**

A liquid injectable and fast curing resin, allowing for faster installation time than traditional 2-part compounds. Utilising a unique clear compound chamber for full visibility of the flameproof seal during installation and inspection, the ExPress barrier resin is unparalleled as a global solution, with a 30 minute gel time and unrivalled ease of use.

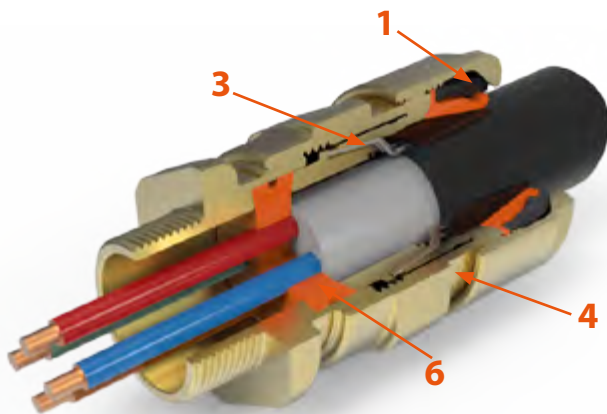
- **Instant Barrier Seal**

### **No resin. No mixing. No cure time.**

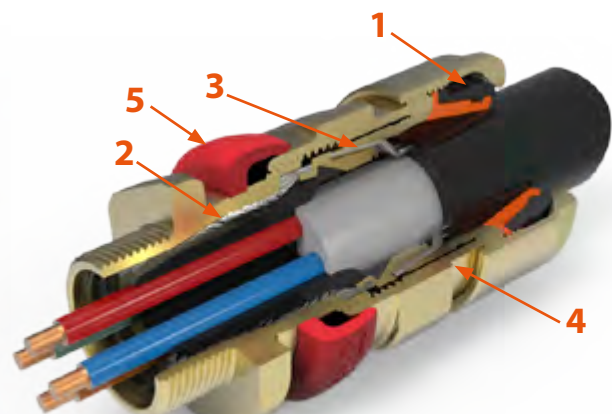
The PSG553 RAC (Punched Seal Gland) provides market leading installation and inspection time. Simply pass the individual cores through the punched seal and tighten. Fully inspectable and no waiting time – irrespective of temperature, location or installation position.



# Features



PSG/553/RAC



ICG/653 UNIVERSAL

## ■ 1 Unique Rear Sealing System

This arrangement offers IP66, IP67, IP68 (30 metres for 7 days) IP69 (for all glands with a deluge boot), NEMA 4X and Deluge (DTS01) Ingress Protection. The seal is manufactured from a silicone material, has LSFZH properties, is ozone and oil resistant and is suitable for use at both high and low temperatures. The Rear Sealing System covers the entire range of cable diameters without the need for special seals and the cable acceptance range is stamped on the backnut for ease of inspection. The backnut can be hand tightened, with only one further spanner turn required to ensure IP66, IP67, IP68 and NEMA 4X.

## ■ 2 Unique Inspectable Compound Chamber

The revolutionary Hawke compound chamber has been designed with inspectability in mind. With a unique clear non-metallic compound chamber for both IEC and NEC applications, the barrier seal can be made using either a QSP quick setting 2-part hand-mixed putty, or a liquid injectable and fast curing resin, allowing for faster installation time than traditional 2-part compounds. The transparent compound chamber allows full visibility of the flameproof seal during installation and inspection making the ExPress barrier resin unparalleled as a global solution.

## ■ 3 The Original Reversible Armour Clamp

The original RAC clamping system was invented by Hawke over 10 years ago and is a well established proven performer in all conditions. Simply by reversing the clamping ring, the cable gland can adjust to accommodate all types of cable armour or braid. Unlike many of our competitors, the correct stamping orientation is marked clearly with the armour size and backed up by the presence of a groove in the component. Hawke's RAC clamping system is also fully Inspectable when positioned on the cable.

## ■ 4 Cable Tightening Guide

To help address issues with the overtightening of cable glands and the resultant damage to cables and seals, Hawke International has developed the patented INBUILT TIGHTENING GUIDE. Removing the need for fiddly measuring systems, the guide provides a permanent visual indication of the gland tightness through installation, inspection and maintenance. The gland is permanently marked with various lines/numbers indicating the correct tightening level related to the cable diameter. The backnut, once tightened to the line corresponding to the cable diameter, ensures there is no cable damage whilst still maintaining IP and pull-out.

## ■ 5 Inspectable Deluge Seal

Hawke's Inspectable deluge seal offers IP66 and IP67 sealing and is certified as 'deluge proof' by ITS in accordance with DTS01. Indeed, Hawke's deluge seal is so good that it exceeds the expectations of the offshore industry by not only preventing ingress into the equipment, but also into the cable gland, which prevents corrosion of the cable armour.

## ■ 6 Compound Free, Instant Barrier Seal

The PSG553 RAC (Punched Seal Gland) provides market leading installation and inspection time. Simply pass the individual cores through the punched seal and tighten. Fully inspectable and no waiting time – irrespective of temperature, location or installation position.



# The First Globally Certified, Fully Inspectable, Elastomeric Compound Pot

## Why a silicone compound pot?

At Hawke, we prioritise complete inspectability of all seals and explosion protection features within our products. The search for inspectability pushed us toward the unique transparent silicone compound pot in which the compound is visible both as it is being installed and once installation is complete.

## How does it work?

A traditional metallic compound pot uses a flamepath to dissipate the energy of an ignition. The flamepath is a tightly controlled clearance between the pot and the gland housing. If this clearance is too **large** there is a risk of ignition. If this clearance is too **small** the pot won't fit into the gland. Any scratches or damage renders the gland useless. Our silicone pot works by being compressed when installed so the flamepath gap is always zero.

## How was the silicone compound pot tested and certified?

The compound pot and resin have been certified in accordance with ATEX/IECEX 60079 and UL2225. They have been through rigorous testing processes including and not limited to chemical exposure, hydrostatic pressure, thermal ageing and explosion testing.

## What are the benefits of the silicone compound pot over a brass compound pot?

- When terminating the barrier gland the resin is visible to the installer, so the process is much more controlled and visible. Any issues such as voids or underfilling can be immediately addressed before the compound cures.
- The resin is visible through the compound pot and as such can be inspected without the product being destroyed. Traditional metallic compound pots must be cut off to inspect, discarded and then remade with a new gland.
- If the flamepath surface of a metallic pot is damaged, or in glands where the entry is used to form the flameproof seal, the whole assembly must be cut off the cable and replaced. If damage occurs to the silicone compound pot, it can be replaced.



## 100% visibility.

Inspect installed glands with zero destruction.

## The Difference is Clear.

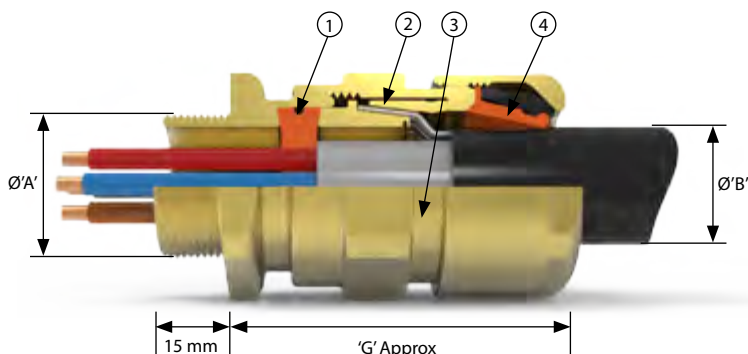




# PSG 553 RAC

Flameproof, Increased Safety, Dust Protection & Restricted Breathing  
Dual Certified ATEX / IECEx

International Approvals



- 1 Provides a barrier seal to the individual insulated cores within the cable and prevents entry of the products of an explosion into the cable. The required number of holes for the cores are punched in the seal by a special tool to suit core size.
- 2 Provides armour clamping using one clamping arrangement for all armour/braid types
- 3 Provides a cable retention and low smoke and fume, zero halogen seal onto the cables outer sheath

The PGS/553/RAC dual certified Exe/Exd gland offers an instant barrier seal around the individual cable cores, with the silicon seal forming a barrier around the individual cores of a cable. This results in unparalleled speed of installation, inspection and flexibility, with no need for compounds or resin to achieve the Exd barrier seal, no curing time and instant gland completion.

Cable Gland Selection Table									
Size Ref.	Entry Thread Size 'A'		Cable Acceptance Details				'G'	Hexagon Dimensions	
	Metric	NPT* Standard or Option	Outer Sheath 'B'		Armour / Braid 'C'			Length	Across Flats
			Min	Max	Orientation 1	Orientation 2			
A	M20	¾" or ½"	12.5	20.5	0.8 / 1.25	0.0 / 0.8	53	30.0	32.5
B	M25	1" or ¾"	16.9	26.0	1.25 / 1.6	0.0 / 0.7	59.5	36.0	39.5
C	M32	1¼" or 1"	22.0	33.0	1.6 / 2.0	0.0 / 0.7	64	46.0	50.5

Technical Data	
Ingress Protection	IP66, IP67 and IP68 (30 metres for 7 days, special conditions may apply) to IEC/EN 60529 and NEMA 4X to DTS01
Deluge Protection	
Operating Temperature	-60°C to +80°C
ATEX/IECEx	
ATEX/IECEx Protection Class	Ex II 2GD Ex db IIC Gb; Ex eb IIC Gb; Extb IIIC Db
ATEX Certificate No	CML 19ATEX1167X
IECEx Certificate No	CML 19.0045X
Construction & Test Standards	IEC/EN 60079-0, IEC/EN 60079-1, IEC/EN 60079-7 and IEC/EN 60079-31
Additional Certifications	EAC: TC RU C-GB HA91 B 0046 19 Inmetro: IEx 14.0272X PESO: P450038 CNEC: CNEC17 2858X

Alternative Reversible Armour Clamping Ring Size Selection		
Size Ref	Orientation 1	Orientation 2
B	0.9 - 1.25	0.5 - 0.9
C	1.2 - 1.6	0.6 - 1.2

Ordering Information				
Format for ordering is as follows: Alternative Clamping Ring (AR), add suffix AR to ordering information				
Cable Gland Type	Size	Thread	Material	(Optional)
PSG/553/RAC	C	M32	Brass	AR
PSG/553/RAC	C	1¼" NPT	Brass	AR

Order Example: PSG/553/RAC C M32 Brass AR

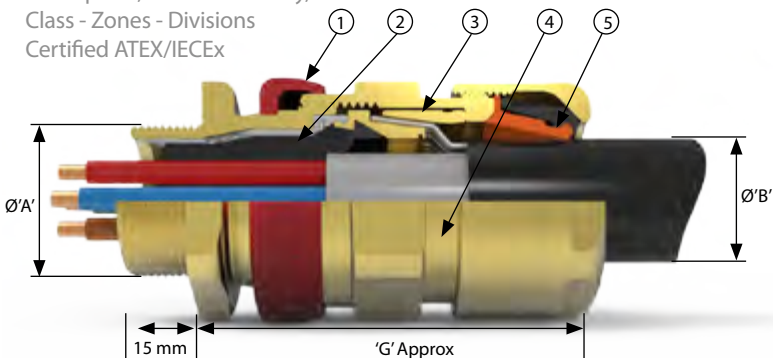
Punch Tool Size Details			
Punch Ref	No. 1	No. 2	No. 3
Cores C.S.A.mm <sup>2</sup>	1.5 - 2.5	4.0 - 6.0	10

Cable Gland Size for Core Size and Number					
Max No. of Cores	Cores Cross Sectional Area mm <sup>2</sup>				
	1.5	2.5	4	6	10
7	A&B	A&B	B&C	C	C
4	-	-	-	B	-
3	-	-	-	-	B



# ICG/653/UNIV

Flameproof, Increased Safety, Dust Protection  
Class - Zones - Divisions  
Certified ATEX/IECEX



- 1 Inspectable Deluge Seal  
- Offering IP66, IP67, IP68 & IP69 Ingress Protection
- 2 Transparent Elastomeric Fully Inspectable Compound Pot – compatible with both injectable resin and 2 part compound
- 3 Reversible Armour Clamp  
- For all types of armour and braid
- 4 Patented Cable Gland Tightening Guide  
- Helps prevent damage caused by over tightening
- 5 Unique Rear Seal - Offering ultimate sealing over an extremely wide cable acceptance range

Dual certified Exe/Exd barrier gland, providing a seal around individual cable cores, especially for cables that exhibit "cold flow" characteristics, are not effectively filled or have hygroscopic fillers. For use with single wire armour 'W', wire braid 'X', steel tape armour 'Z' elastomer and plastic insulated cables. The ICG/653/UNIVERSAL is available with either ExPress liquid barrier resin or QSP 2-part hand mix compound, both with a cure time of 30 minutes.

Cable Gland Selection Table

Size Ref.	Entry Thread Size 'A'		Cable Acceptance Details								'G'	Hexagon Dimensions	
	Metric	NPT* Standard or Option	Inner Sheath Cores				Outer Sheath 'B'		Armour Braid 'C'			Across Flats	Across Corners
			Max Inner Sheath 'E'	Max Over Core Diameter	Max No of Cores	Max No of Fibre Optic	Min	Max	Orientation 1	Orientation 2			
Os	M20	½"	8.1**	8	12	48	5.5	12	0.8 / 1.25	0.0 / 0.8	58.4	24	26.5
O	M20	½"	11.7	8.8	12	48	9.5	16	0.8 / 1.25	0.0 / 0.8	58.4	24	26.5
A	M20	¾" or ½"	14	10.8	15	72	12.5	20.5	0.8 / 1.25	0.0 / 0.8	60.6	30	32.5
B	M25	1" or ¾"	19.9	15.9	30	144	16.9	26	1.25 / 1.6	0.0 / 0.7	67.3	36	39.5
C	M32	1¼" or 1"	26.2	21.9	42	-	22	33	1.6 / 2.0	0.0 / 0.7	73.2	46	50.5
C2	M40	1½" or 1¼"	32.3	26.7	60	-	28	41	1.6 / 2.0	0.0 / 0.7	78.3	55	60.6
D	M50	2"	44.2	37.7	80	-	36	52.6	1.8 / 2.5	0.0 / 1.0	97.5	65	70.8
E	M63	2½"	56	49	100	-	46	65.3	1.8 / 2.5	0.0 / 1.0	93.5	80	88
F	M75	3"	68	59.8	120	-	57	78	1.8 / 2.5	0.0 / 1.0	104.5	95	104

All dimensions in millimetres (except \* where dimensions are in inches). Metric entry threads are 1.5mm pitch as standard, 15mm length of thread.

\*\*Recommended value to suit internal Express resin barrier. May be increased to 10 max if QSP compound or alternative Express resin barrier method are used.

## Technical Data

Ingress Protection	IP66, IP67, IP68 (30 metres for 7 days, special conditions may apply), IP69 to IEC/EN 60529 and NEMA 4X
Deluge Protection	to DTS01
Operating Temperature	-60°C to +80°C

### ATEX/IECEX

ATEX/IECEX Protection Class	Ex II 2GD Ex db IIC Gb; Ex eb IIC Gb; Extb IIIC Db
ATEX Certificate No	CML 18ATEX1268X
IECEX Certificate No	CML 18.0131X
Construction & Test Standards	IEC/EN 60079-0, IEC/EN 60079-1, IEC/EN 60079-7 and IEC/EN 60079-31
Additional Certifications	EAC: TC RU C-GB HA91 B 0046 19 Inmetro: IEx 14.0272X KCs: 17-KA4BO-0159X to 0167X PESO: P450038 CNEX: CNEx17 2858X

### NEC/CEC

NEC Protection Class	Class I Div 1 ABCD Class II Div 2 EFG and Class III Class I, Zone I, AEx db IIC Gb, AEx eb IIC Gb; Zone 21, AEx tb IIIC Db
CEC Protection Class	Class I Div 1 ABCD Class II Div 2 EFG and Class III Ex db IIC Gb; Ex eb IIC Gb; Ex tb IIIC Db
c CSA us Certificate	1024328
Construction & Test Standards	UL2225, UL1203, UL514B, CSA C22.2 NO. 0-10, CSA C22.2 NO. 174-18, CSA 22.2 60079-0, CSA 22.2 60079-1, CSA 22.2 60079-7 and CSA 22.2 60079-31

## Ordering Information

Format for ordering is as follows: Alternative Seal (AR), add suffix AR to ordering information

Cable Gland Type	Size	Thread	Barrier Type	Material	(Optional)
ICG 653/UNIV	C	M32	(Standard 2 part compound)	Brass	AR
ICG 653/UNIV	C	1 1/4 "	EP (ExPress Resin)	Brass	AR

Two part sealing compound and assembly instructions are supplied with the cable gland

For information on sealing options, see Page 10

Example Code: ICG 653/UNIV C M32 EP Stainless Steel

For all enquiries please contact Hawke Sales +44 (0) 141 810 9644 E: hhsales1@hubbell.com

www.ehawke.com



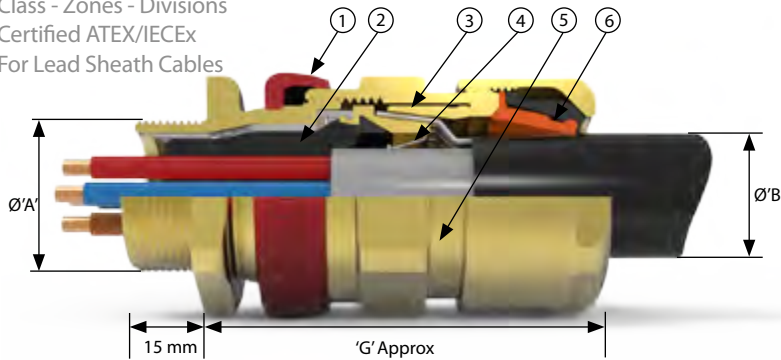


Alternative Reversible Armour Clamping Ring Size Selection		
Size Ref	Orientation 1	Orientation 2
B	0.9 - 1.25	0.5 - 0.9
C	1.2 - 1.6	0.6 - 1.2
C2	1.2 - 1.6	0.6 - 1.2
D	1.45 - 1.8	1.0 - 1.45
E	1.45 - 1.8	1.0 - 1.45
F	1.45 - 1.8	1.0 - 1.45



# ICG/653/UNIV/L

Flameproof, Increased Safety, Dust Protection  
 Class - Zones - Divisions  
 Certified ATEX/IECEX  
 For Lead Sheath Cables



- 1 Inspectable Deluge Seal  
- Offering IP66, IP67, IP68 & IP69 Ingress Protection
- 2 Transparent Elastomeric Fully Inspectable Compound Pot – compatible with both injectable resin and 2 part compound
- 3 Reversible Armour Clamp  
- For all types of armour and braid
- 4 Electrical Bond on the cables lead inner sheath
- 5 Patented Cable Gland Tightening Guide  
- Helps prevent damage caused by over tightening
- 6 Unique Rear Seal - Offering ultimate sealing over an extremely wide cable acceptance range

Dual certified fully inspectable Exe/Exd barrier gland providing a seal around individual cable cores on lead sheathed cables which are not effectively filled, have hygroscopic fillers or contains fibre optic cores. For use with single wire armour 'W', wire braid 'X', steel tape armour 'Z' elastomer and plastic insulated cables with a lead inner sheath. The ICG/653/UNIVERSAL/L is available with either ExPress liquid barrier resin or QSP 2-part hand mix compound, both with a cure time of 30 minutes.

Cable Gland Selection Table

Size Ref.	Entry Thread Size 'A'		Cable Acceptance Details								'G'	Hexagon Dimensions	
	Metric	NPT* Standard	Inner Sheath / Cores				Outer Sheath 'B'		Armour Braid 'C'			Across Flats	Across Corners
			Max Inner Sheath	Max Over Core Diameter	Max No of Cores	Max No of Fibre Optic	Min	Max	Orientation 1	Orientation 2			
Os	M20	½"	8.1	8.0	12	48.0	5.5	12.0	0.8/1.25	0.0/0.8	58.4	24.0	26.5
O	M20	½"	10.2	8.8	12	48.0	9.5	16.0	0.8/1.25	0.0/0.8	58.4	24.0	26.5
A	M20	¾" or ½"	12.5	10.8	15	72.0	12.5	20.5	0.8/1.25	0.0/0.8	60.6	30.0	32.5
B	M25	1" or ¾"	18.0	15.9	30	144.0	16.9	26.0	1.25/1.6	0.0/0.7	67.3	36.0	39.5
C	M32	1½" or 1"	24.3	21.9	42	-	22.0	33.0	1.6/2.0	0.0/0.7	73.2	46.0	50.5
C2	M40	1½" or 1¼"	30.3	26.7	60	-	28.0	41.0	1.6/2.0	0.0/0.7	78.3	55.0	60.6
D	M50	2"	41.9	37.7	80	-	36.0	52.6	1.8/2.5	0.0/1.0	97.5	65.0	70.8
E	M63	2½"	52.9	49.0	100	-	46.0	65.3	1.8/2.5	0.0/1.0	93.5	80.0	88.0
F	M75	3"	64.9	59.8	120	-	57.0	78.0	1.8/2.5	0.0/1.0	104.5	95.0	104.0

All dimensions in millimetres (except \* where dimensions are in inches). Metric entry threads are 1.5mm pitch as standard, 15mm length of thread.

## Technical Data

Ingress Protection	IP66, IP67, IP68 (30 metres for 7 days, special conditions may apply), IP69 to IEC/EN 60529 and NEMA 4X
Deluge Protection	to DTS01
Operating Temperature	-60°C to +80°C

### ATEX/IECEX

ATEX/IECEX Protection Class	Ex II 2GD Ex db IIC Gb; Ex eb IIC Gb; Extb IIIC Db
ATEX Certificate No	CML 18ATEX1268X
IECEX Certificate No	CML 18.0131X
Construction & Test Standards	IEC/EN 60079-0, IEC/EN 60079-1, IEC/EN 60079-7 and IEC/EN 60079-31
Additional Certifications	EAC: TC RU C-GB HA91 B 0046 19 Inmetro: IEx 14.0272X KCs: 17-KA4BO-0159X to 0167X PESO: P450038 CNEX: CNEx17 2858X

### NEC/CEC

NEC Protection Class	Class I Div 1 ABCD Class II Div 2 EFG and Class III Class I, Zone I, AEx db IIC Gb, AEx eb IIC Gb; Zone 21, AEx tb IIIC Db
CEC Protection Class	Class I Div 1 ABCD Class II Div 2 EFG and Class III Ex db IIC Gb; Ex eb IIC Gb; Ex tb IIIC Db
c CSA us Certificate	1024328
Construction & Test Standards	UL2225, UL1203, UL514B, CSA C22.2 NO. 0-10, CSA C22.2 NO. 174-18, CSA 22.2 60079-0, CSA 22.2 60079-1, CSA 22.2 60079-7 and CSA 22.2 60079-31

## Ordering Information

Format for ordering is as follows: Alternative Seal (AR), add suffix AR to ordering information

Cable Gland Type	Size	Thread	Barrier Type	Material	(Optional)
ICG 653/UNIV/L	C	M32	(Standard 2 part compound)	Brass	AR
ICG 653/UNIV/L	C	1¼"	EP (ExPress Resin)	Brass	AR

Two part sealing compound and assembly instructions are supplied with the cable gland

Example Code: ICG 653/UNIV /L C M32 EP Stainless Steel

Alternative Reversible Armour Clamping Ring Size Selection		
Size Ref	Orientation 1	Orientation 2
B	0.9 - 1.25	0.5 - 0.9
C	1.2 - 1.6	0.6 - 1.2
C2	1.2 - 1.6	0.6 - 1.2
D	1.45 - 1.8	1.0 - 1.45
E	1.45 - 1.8	1.0 - 1.45
F	1.45 - 1.8	1.0 - 1.45



# HDL 106

Ex e LED FLOODLIGHT



The HDL 106 boasts an impressive 80,000 maintenance free hours at 25°C and weighs up to 40% less than a typical floodlight.

The modular design is capable of interlinking up to four luminaires making it an extremely versatile lighting solution.

**The future of hazardous area lighting.**  
**Re-Certified and Re-Tested.**



Follow us

[www.chalmit.com](http://www.chalmit.com)





# Conduit Cable Glands

Hawke International conduit cable glands offer an opportunity to terminate fixed and flexible conduit in a hazardous area, providing a female running coupler for gland or conduit entry maintaining both Exe and Exd protection concepts along with protecting against ingress of water and dust.

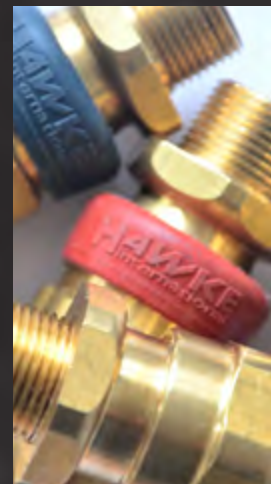
- **QSP 2-part Hand Mix Putty**

Simple to use with a cure time from 30 minutes. Particularly useful where termination space is limited or cables are running horizontally to the installation area. Can be inspected and repaired if necessary, allowing for the very highest level of safety.

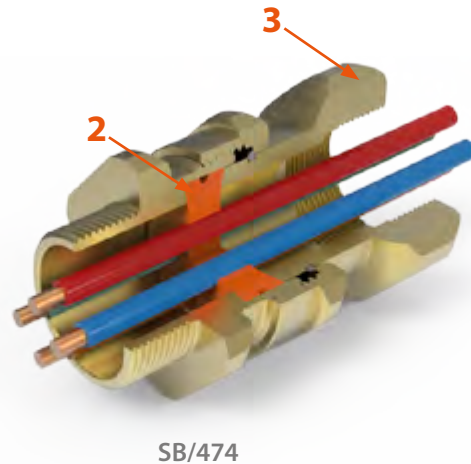
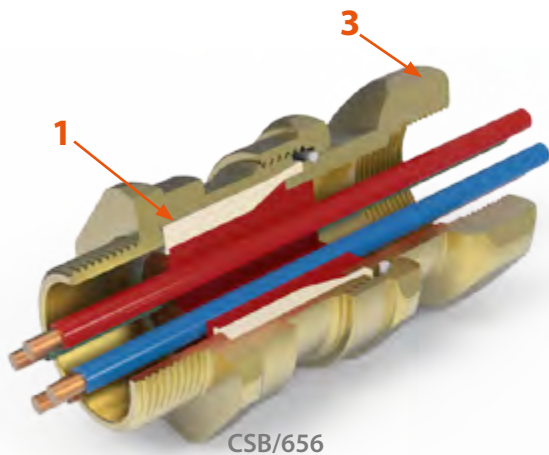
- **Instant Barrier Seal**

**No resin. No mixing. No cure time.**

The PSG474 (Punched Seal Gland) provides market leading installation and inspection time. Simply pass the individual cores through the punched seal and tighten. Fully inspectable and no waiting time – irrespective of temperature, location or installation position.



# Features



## ■ 1 Unique Inspectable Compound Chamber

The revolutionary Hawke compound chamber has been designed with inspectability in mind. With a unique clear non-metallic compound chamber for both IEC and NEC applications, the barrier seal can be made using either a QSP quick setting 2-part hand-mixed putty, or a liquid injectable and fast curing resin, allowing for faster installation time than traditional 2-part compounds. The transparent compound chamber allows full visibility of the flameproof seal during installation and inspection making the ExPress barrier resin unparalleled as a global solution.

## ■ 2 No resin. No mixing. No cure time.

The PSG474 (Punched Seal Gland) provides market leading installation and inspection time. Simply pass the individual cores through the punched seal and tighten. Fully inspectable and no waiting time – irrespective of temperature, location or installation position.

## ■ 3 Female Running Coupler

Provides a female running coupler for cable gland or conduit entry. Seals conductors at entry to enclosure via conduit or enables an existing cable gland to be converted to a barrier type cable gland.

# CSB 656N

Flameproof, Increased Safety, Dust Protection  
Class - Zones  
Certified ATEX / IECEx / c CSA us

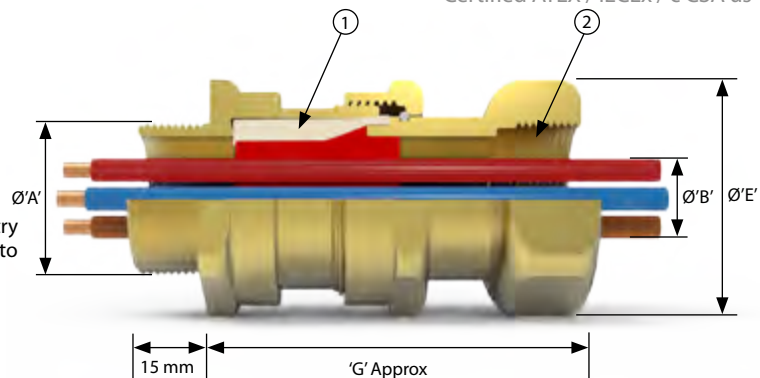


MADE IN BRITAIN



International Approvals

- 1 Fully inspectable barrier seal provides an Exd seal between the individual cable cores
- 2 Female running coupler for cable gland or conduit entry Can be used to upgrade standard non-barrier gland into a flameproof Exd barrier gland



The Dual certified Exe/Exd CSB656N cable gland offers an inspectable barrier seal around the individual cable cores and a female running coupler for conduit or cable gland entry. See technical section for installation rules and regulations.

## Cable Gland Selection Table

Size Ref.	Entry Thread Size 'A'				Cable Acceptance Details			'G' Metric	Hexagon Dimensions	
	Male		Female		Inner Sheath / Cores				Across Flats	Across Corners
	Metric	NPT* Standard or Option	Metric	NPT# Standard or Option	Max Over Cores 'B'	Max Inner Sheath 'E'	Max No of Cores			
A	M20	¾" or ½"	M20	¾" or ½"	11	12.5	16	74.0	30.0	32.5
B	M25	1" or ¾"	M25	1" or ¾"	16.2	18.4	32	65.0	36.0	39.5
C	M32	1¼" or 1"	M32	1¼" or 1"	21.9	24.7	60	80.0	46.0	50.5
C2	M40	1½" or 1¼"	M40	1½" or 1¼"	26.3	29.7	80	83.0	55.0	60.6
D	M50	2" or 1½"	M50	2" or 1½"	37.1	41.7	100	94.0	65.0	70.8
E	M63	2½" or 2"	M63	2½" or 2"	47.8	53.5	120	97.0	80.0	88.0
F	M75	3" or 2½"	M75	3" or 2½"	59	66.2 / 65.3 <sup>1</sup>	160	100.0	95.0	104.0

All dimensions in millimetres (except \* where dimensions are in inches). Metric entry threads are 1.5mm pitch as standard, 15mm length of thread.

<sup>1</sup>Smaller value is applicable when selecting reduced NPT entry option. <sup>2</sup>Hexagon dimensions as shown may increase to accommodate non-metric female threads

<sup>3</sup>Other thread types available upon request

## Technical Data

Ingress Protection	IP66, IP67 and IP68 (30 metres for 7 days, special conditions may apply) to IEC/EN 60529 and NEMA 4X
Deluge Protection	to DTS01
Operating Temperature	-60°C to +80°C

### ATEX/IECEx

ATEX/IECEx Protection Class	Ex II 2GD Ex db IIC Gb; Ex eb IIC Gb; Extb IIIC Db
ATEX Certificate No	CML 19ATEX1170X
IECEx Certificate No	CML 19.0048X
Construction & Test Standards	IEC/EN 60079-0, IEC/EN 60079-1, IEC/EN 60079-7 and IEC/EN 60079-31
Additional Certifications	EAC: RU C-GB.AA87.B.00430 Inmetro: IEx 14.0272X KCs: 17-KA4BO-0150X to 0158X PESO: P450038 CNEX: CNEx17 2858X

### NEC/CEC

NEC Protection Class	Class I Div 1 ABCD Class II Div 2 EFG and Class III Class I, Zone I, AEx db IIC Gb, AEx eb IIC Gb; Zone 21, AEx tb IIIC Db
CEC Protection Class	Class I Div 1 ABCD Class II Div 2 EFG and Class III Ex db IIC Gb; Ex eb IIC Gb; Ex tb IIIC Db
c CSA us Certificate	1024328
Construction & Test Standards	UL2225, UL1203, UL514B, CSA C22.2 NO. 0-10, CSA C22.2 NO. 174-18, CSA 22.2 60079-0, CSA 22.2 60079-1, CSA 22.2 60079-7 and CSA 22.2 60079-31

## Ordering Information

Format for ordering is as follows:

Cable Gland Type	Size	Male Thread	Female Thread	Material
CSB 656N	C	M32	M32	Brass
CSB 656N	C	1¼" NPT	M32	Brass

Two part sealing compound and assembly instructions are supplied with the cable gland

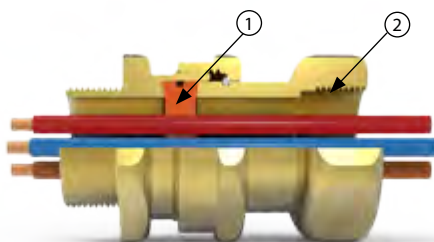
Order Example: CSB 656N C M32 M32 Brass

Product design and specifications are subject to change without notice. Please check the Hawke website for latest specifications.



# SB/474

Flameproof, Increased Safety, Dust Protection  
Certified ATEX/IECEX



- 1 Provides a barrier seal to the individual insulated cores within the cable and prevents entry of the products of an explosion into the cable. The required number of holes for the cores are punched in the seal by a special tool to suit core size.
- 2 Female running coupler for cable gland or conduit entry. Can be used to upgrade standard non-barrier gland into a flameproof Exd barrier gland

For outdoor or indoor use, the SB474 is also for particular use with cables that are not effectively filled, compact and/or circular, have tape bedding or have hygroscopic fillers. Also, with cables that exhibit 'Cold Flow' characteristics.

International Approvals



Cable Gland Selection Table							
Size Ref.	Entry Thread Size 'A'				'G' Metric	Hexagon Dimensions	
	Male		Female			Across Flats	Across Corners
	Metric	NPT* Standard or Option	Metric	NPT# Standard or Option			
A	M20	¾" or ½"	M20	¾" or ½"	69	30.0	32.5
B	M25	1" or ¾"	M25	1" or ¾"	61	36.0	39.5
C	M32	1¼" or 1"	M32	1¼" or 1"	61.95	46.0	50.5

T' - All dimensions in millimetres (except \* where dimensions are in inches). Metric entry threads are 1.5mm pitch as standard, 15mm length of thread.

<sup>1</sup>Hexagon dimensions as shown may increase to accommodate non-metric female threads  
<sup>2</sup>Other thread types available upon request

Technical Data	
Ingress Protection	IP66, IP67 and IP68 (30 metres for 7 days, special conditions may apply) to IEC/EN 60529 and NEMA 4X
Deluge Protection	to DTS01
Operating Temperature	-60°C to +80°C
ATEX/IECEX	
ATEX/IECEX Protection Class	Ex II 2GD Ex db IIC Gb; Ex eb IIC Gb; Ex tb IIIC Db
ATEX Certificate No	CML 19ATEX1167X
IECEX Certificate No	CML 19.0045X
Construction & Test Standards	IEC/EN 60079-0, IEC/EN 60079-1, IEC/EN 60079-7 and IEC/EN 60079-31
Additional Certifications	EAC: TC RU C-GB HA91 B 0046 19 Inmetro: IEx 14.0272X PESO: P450038 CNEC: CNEC17 2858X

Cable Gland Size for Core Size and Number					
Max No of Cores	Cores Cross Sectional Area mm <sup>2</sup>				
	1.5	2.5	4	6	10
7	A & B	A & B	B & C	C	C
4	-	-	-	B	-
3	-	-	-	-	B

Punch Tool Size Details			
Punch Ref	No. 1	No. 2	No. 3
Cores C.S.A.mm <sup>2</sup>	1.5 - 2.5	4.0 - 6.0	10

Ordering Information					
To select the correct size punch tool, please see table. Format for ordering is as follows:					
Cable Gland Type	Size	Male Thread	Female Thread	Material	Punch Tool Required
SB/474	C	M32	M32	Brass	Punch Tool No 1
SB/474	C	1¼" NPT	1¼" NPT	Brass	Punch Tool No 1

Order Example: SB/474 C M32/M32 Brass

# 501/414

Flameproof, Increased Safety, Dust Protection  
Certified ATEX / IECEx / c CSA us

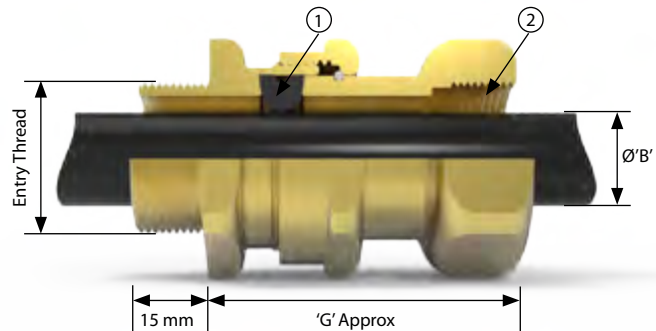


MADE IN BRITAIN



International Approvals

- 1 Elastomeric Exd flameproof seal on cable inner sheath
- 2 Female running coupler for cable gland or conduit entry. Can be used to upgrade standard non-barrier gland into a flameproof Exd barrier gland



The Dual certified Exe/Exd 501/414 cable gland offers a female running coupler and a seal onto the cable outer sheath for use with non-armoured elastomer and plastic insulated cables installed in conduit. May also be used with braided cables under certain conditions. See technical section for installation rules and regulations.

Cable Gland Selection Table												
Size Ref.	Entry Thread Size 'A'				Cable Acceptance Details						Hexagon Dimensions	
	Male		Female		Outer Sheath 'B'					'G'	Across Flats	Across Corners
	Metric	NPT* Standard	Metric	NPT# Standard	Standard Seal		Alternative Seal					
					Min	Max	Min	Max	Max			
Os	M20 <sup>2</sup>	½"	M20 <sup>2</sup>	½"	3.2	8.0	-	-	-	54.5	24.0	26.5
O	M20 <sup>2</sup>	½"	M20 <sup>2</sup>	½"	6.5	11.9	-	-	-	54.5	24.0	26.5
A	M20	¾" or ½"	M20	¾" or ½"	10.0	14.3	9.0	13.4	-	56.4	30.0	32.5
B	M25	1" or ¾"	M25	1" or ¾"	13.0	20.2	9.5	15.4	-	48.2	36.0	39.5
C	M32	1¼" or 1"	M32	1¼" or 1"	19.5	26.5	15.5	21.2	-	61.6	46.0	50.5
C2	M40	1½" or 1¼"	M40	1½" or 1¼"	25.0	32.5	22.0	28.0	-	64.6	55.0	60.6
D	M50	2" or 1½"	M50	2" or 1½"	31.5	44.4 / 42.3 <sup>1</sup>	27.5	34.8	-	83.2	65.0	70.8
E	M63	2½" or 2"	M63	2½" or 2"	42.5	56.3 / 54.3 <sup>1</sup>	39.0	46.5	-	83.2	80.0	88.0
F	M75	3" or 2½"	M75	3" or 2½"	54.5	68.2 / 65.3 <sup>1</sup>	49.5	58.3	-	86.4	95.0	104.0

All dimensions in millimetres (except \* where dimensions are in inches).

<sup>1</sup>Smaller value is applicable when selecting reduced NPT entry option.

<sup>2</sup>Sizes Os and O are available with an M16 thread size. For O size with M16 thread, the maximum cable inner sheath diameter is 10.9mm

<sup>3</sup>Hexagon dimensions as shown may increase to accommodate non-metric female threads

<sup>4</sup>Other thread types available upon request

Technical Data	
Ingress Protection	IP66, IP67 and IP68 (30 metres for 7 days, special conditions may apply) to IEC/EN 60529 and NEMA 4X
Deluge Protection	to DTS01
Operating Temperature	-60°C to +100°C
ATEX/IECEx	
ATEX/IECEx Protection Class	Ex II 2GD Ex db IIC Gb; Ex eb IIC Gb; Ex tb IIIC Db
ATEX Certificate No	CML 19ATEX1167X
IECEx Certificate No	CML 19.0045X
Construction & Test Standards	IEC/EN 60079-0, IEC/EN 60079-1, IEC/EN 60079-7 and IEC/EN 60079-31
Additional Certifications	EAC: RU C-GB.AA87.B.00430 Inmetro: IEx 14.0272X PESO: P450038 CNEC: CNEC17 2858X
NEC/CEC	
NEC Protection Class	Class I, Zone I, AEx eb IIC Gb; Zone 21, AEx tb IIIC Db
CEC Protection Class	Class I Div 2 ABCD, Class II Div 2 EFG and Class III Ex db IIC Gb; Ex eb IIC Gb
c CSA us Certificate	1015065
Construction & Test Standards	UL2225, UL1203, UL514B, CSA C22.2 NO. 0-10, CSA C22.2 NO. 174-18, CSA 22.2 60079-0, CSA 22.2 60079-1, CSA 22.2 60079-7 and CSA 22.2 60079-31

Ordering Information					
Format for ordering is as follows: Alternative Seal (S), add suffix S to ordering information					
Cable Gland Type	Size	Male Thread	Female Thread	Material	(Optional)
501/414	C	M32	M32	Brass	S
501/414	C	1¼" NPT	1¼" NPT	Brass	S

Order Example: 501/414 C M32/M32 Brass



HAZCON  
**CONTROL  
STATIONS**



- Use in Zones 1/21 & 2/22
- Operating range -50°C to +60°C
- IP66 Ingress Protection
- Globally Certified
- Easy Installation
- Wide range of Push Buttons
- 2 or 3 way Selector Switches
- Emergency Stop Button options

Glass Reinforced Polymer (GRP)  
& Stainless Steel Control Stations.

# NEC® Compliant Cable Glands

The range of Hawke International NEC® Compliant cable glands provide a seal around the individual cores of a cable to maintain the flameproof integrity of Exd equipment.

These glands meet the requirements of NEC® and employ a compound seal around each core to prevent the migration of an explosion from within a piece of flameproof equipment to the outside atmosphere. Hawke International has a comprehensive, and UNIQUE range of barrier glands offering numerous features and benefits not to be found from other manufacturers.

## 2 Seal Options - BOTH FULLY INSPECTABLE!

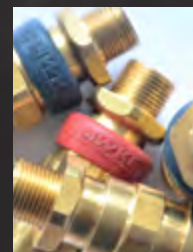
Our NEC® Compliant cable glands are available with our quick setting 2-part resin, or an injectable liquid seal - ExPress, both of which offer full inspection of the seal in-situ:

- **2-part Hand Mix Compound**

Simple to use with a cure time from 30 minutes. Particularly useful where termination space is limited or cables are running horizontally to the installation area. Can be inspected and repaired if necessary, allowing for the very highest level of safety.

- **ExPress Barrier Resin**

A liquid injectable and fast curing resin, allowing for faster installation time than traditional 2-part compounds. Utilising a unique clear compound chamber allowing full visibility of the flameproof seal during installation and inspection, the ExPress barrier resin is unparalleled as a global solution.



# The First Globally Certified, Fully Inspectable, Elastomeric Compound Pot

## Why a silicone compound pot?

At Hawke, we prioritise complete inspectability of all seals and explosion protection features within our products. The search for inspectability pushed us toward the unique transparent silicone compound pot in which the compound is visible both as it is being installed and once installation is complete.

## How does it work?

A traditional metallic compound pot uses a flamepath to dissipate the energy of an ignition. The flamepath is a tightly controlled clearance between the pot and the gland housing. If this clearance is too **large** there is a risk of ignition. If this clearance is too **small** the pot won't fit into the gland. Any scratches or damage renders the gland useless. Our silicone pot works by being compressed when installed so the flamepath gap is always zero.

## How was the silicone compound pot tested and certified?

The compound pot and resin have been certified in accordance with ATEX/IECEx 60079 and UL2225. They have been through rigorous testing processes including and not limited to chemical exposure, hydrostatic pressure, thermal ageing and explosion testing.

## What are the benefits of the silicone compound pot over a brass compound pot?

- When terminating the barrier gland the resin is visible to the installer, so the process is much more controlled and visible. Any issues such as voids or underfilling can be immediately addressed before the compound cures.
- The resin is visible through the compound pot and as such can be inspected without the product being destroyed. Traditional metallic compound pots must be cut off to inspect, discarded and then remade with a new gland.
- If the flamepath surface of a metallic pot is damaged, or in glands where the entry is used to form the flameproof seal, the whole assembly must be cut off the cable and replaced. If damage occurs to the silicone compound pot, it can be replaced.



### 100% visibility.

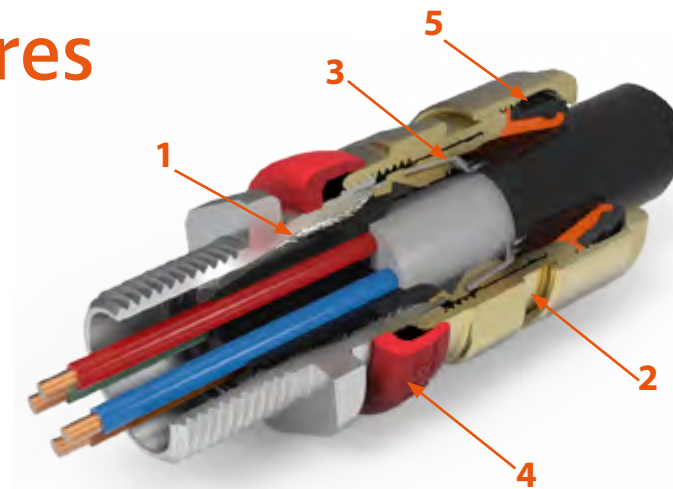
Inspect installed glands with zero destruction.

### The Difference is Clear.





# Features



753

## ■ 1 The World's Only Non-Metallic, Fully Inspectable Flameproof Barrier Seal

The barrier seal can be made using either a QSP quick setting 2-part hand-mixed putty, or a liquid injectable and fast curing resin, allowing for faster installation time than traditional 2-part compounds. The transparent compound chamber allows full visibility of the flameproof seal during installation and inspection making the ExPress barrier resin unparalleled as a global solution.

## ■ 2 Cable Tightening Guide

To help address issues with the overtightening of cable glands and the resultant damage to cables and seals, Hawke International has developed the patented INBUILT TIGHTENING GUIDE. Without the need for fiddly measuring systems, the guide provides a permanent visual indication of the gland tightness through installation, inspection and maintenance. The gland is permanently marked with various lines/numbers indicating the correct tightening level related to the cable diameter. The backnut, once tightened to the line corresponding to the cable diameter, ensures there is no cable damage whilst still maintaining IP and pull-out.

## ■ 3 The Original Reversible Armour Clamp

The original RAC clamping system was invented by Hawke over 10 years ago and is a well established proven performer in all conditions. Simply by reversing the clamping ring, the cable gland can adjust to accommodate all types of cable armour or braid. Unlike many of our competitors, the correct stamping orientation is marked clearly with the armour size and backed up by the presence of a groove in the component. Hawke's RAC clamping system is also fully inspectable when positioned on the cable.

## ■ 4 Inspectable Deluge Seal

Hawke's Inspectable deluge seal offers IP66 and IP67 sealing and is certified as 'deluge proof' by ITS in accordance with DTS01. Indeed, Hawke's deluge seal is so good that it exceeds the expectations of the offshore industry by not only preventing ingress into the equipment, but also into the cable gland, which prevents corrosion of the cable armour.

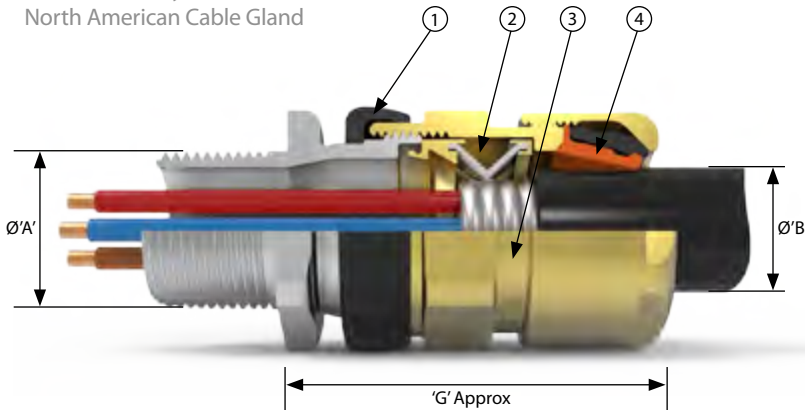
## ■ 5 Unique Rear Sealing System

This arrangement offers IP66, IP67, IP68 (30 metres for 7 days), NEMA 4X and Deluge (DTS01) Ingress Protection. The seal is manufactured from a silicone material, has LSFZH properties, is ozone and oil resistant and is suitable for use at both high and low temperatures. The Rear Sealing System covers the entire range of cable diameters with out the need for special seals and the cable acceptance range is stamped on the backnut for ease of inspection. The backnut can be hand tightened, with only one further spanner turn required to ensure IP66, IP67, IP68 and NEMA 4X.



# 701

Increased Safety Exe for Zones  
North American Cable Gland



- 1 Inspectable Deluge Seal  
- Offering IP66, IP67, IP68 & IP69 Ingress Protection
- 2 Fully inspectable 360° grounding device which remains in contact with the cable when disassembled for inspection
- 3 Patented Cable Gland Tightening Guide  
- Helps prevent damage caused by over tightening
- 4 Unique Rear Seal - Offering ultimate sealing over an extremely wide cable acceptance range

The NEC® Compliant 701 gland certified Exe for zones is suitable for use with continuous corrugated Aluminum Metal Clad (MC-HL; MC) cable. Features a fully inspectable 360° grounding device which remains in contact with the cable when disassembled for inspection.

International Approvals



## Cable Gland Selection Table

Size Ref.	Entry Thread Size 'A'		Cable Acceptance Details				'G'	Hexagon Dimensions	
	Metric	NPT* Standard	Armour Jacket 'E'		Outer Jacket 'B'			Across Flats	Across Corners
			Min	Max	Min	Max			
A	M20	½" or ¾"	0.41"	0.64"	0.49"	0.81"	2.5"	1.18"	1.28"
B	M25	¾" or 1"	0.55"	0.93"	0.67"	1.02"	2.59"	1.42"	1.56"
C	M32	1" or 1¼"	0.85"	1.23"	0.87"	1.30"	2.93"	1.81"	1.99"
C2	M40	1¼" or 1½"	1.17"	1.59"	1.10"	1.61"	3.03"	2.17"	2.39"
D	M50	2" or 1½"	1.37"	1.96"	1.42"	2.07"	3.90"	2.56"	2.79"
E	M63	2½" or 2"	1.81"	2.55"	1.81"	2.57"	3.66"	3.15"	3.46"
F	M75	3" or 2½"	2.37"	2.98"	2.24"	3.07"	3.93"	3.74"	4.09"

Metric entry threads are 1.5mm pitch as standard, 15mm length of thread.  
Oversize glands are available for Wet Locations. Please contact Hawke for more details.

## Technical Data

Ingress Protection	IP66, IP67, IP68* (30 metres for 7 days; special conditions may apply), IP69 to IEC/EN 60529 and NEMA 4X
Deluge Protection	to DTS01
Operating Temperature	-50°C to +80°C
NEC/CEC	
NEC Protection Class	Class I, Zone I, AEx e IIC Gb; Zone 21, AEx tb IIIC Db
CEC Protection Class	Ex eb IIC Gb; Ex tb IIIC Db
Cable Types	MC, MC-HL
c UL us Listing Number	E84940
Construction & Test Standards	UL2225, UL514B, CSA C22.2 NO. 18.3-12, CSA C22.2 60079-0, CSA C22.2 60079-1, CSA 22.2 60079-7 and CSA 22.2 60079-31

## Ordering Information

Format for ordering is as follows:

Cable Gland Type	Size	Thread	Material
701	C	1" NPT	Brass

Order Example: 701 C 1" NPT Brass



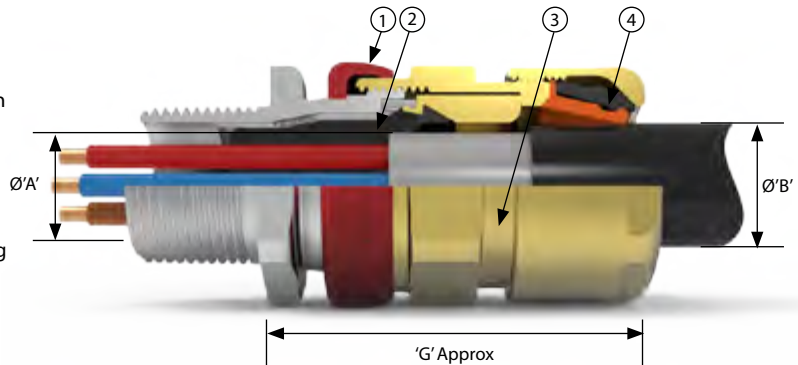
**710**



North American

Explosion proof, IECEx and ATEX Approved Flameproof Exd, Increased Safety Exe  
(Note: Dual Marked UL & ATEX as standard)

- 1 Inspectable Deluge Seal - Offering IP66, IP67, IP68 & IP69 Ingress Protection
- 2 Transparent Elastomeric Fully Inspectable Compound Pot – compatible with both injectable resin and 2 part compound
- 3 Patented Cable Gland Tightening Guide - Helps prevent damage caused by over tightening
- 4 Unique Rear Seal - Offering ultimate sealing over an extremely wide cable acceptance range



International Approvals

The NEC® Compliant 710 dual certified Exe/Exd cable gland is suitable for use with the following cable types: TC-ER-HL, TC-ER, PLTC, PLTC-ER, ITC, ITC-HL & ITC-ER (see technical data for more information). The gland provides a barrier seal around the individual cores within the cable and prevents entry of the products of an explosion into the cable. The gland features the worlds only NEC® certified transparent elastomeric fully inspectable compound chamber

Cable Gland Selection Table											
Size Ref.	Entry Thread Size 'A'		Cable Acceptance Details					'G'	Hexagon Dimensions		
	Metric	NPT <sup>1</sup> Standard	Inner Jacket Cores 'ØA'			Outer Jacket 'ØB'			Across Flats	Across Corners	
			Max Over Cores 'D'	Min Inner Jacket 'E'	Max Inner Jacket 'E'	Max No of Cores	Min				Max
Os	M20	½"	0.31"	0.14"	0.32"	12	0.22"	0.47"	2.30"	0.94"	1.04"
O	M20	½"	0.35"	0.26"	0.46"	12	0.37"	0.63"	2.30"	0.94"	1.04"
A	M20	¾" or ½"	0.43"	0.33"	0.55"	15	0.49"	0.81"	2.39"	1.18"	1.28"
B	M25	1" or ¾"	0.63"	0.44"	0.78"	30	0.66"	1.02"	2.65"	1.42"	1.56"
C	M32	1¼" or 1"	0.86"	0.69"	1.03"	42	0.87"	1.30"	2.88"	1.81"	1.99"
C2	M40	1½" or 1¼"	1.05"	0.91"	1.27"	60	1.10"	1.61"	3.08"	2.17"	2.39"
D	M50	2"	1.48"	1.14"	1.74"	80	1.42"	2.07"	3.84"	2.56"	2.79"
E	M63	2½"	1.93"	1.57"	2.20"	100	1.81"	2.57"	3.68"	3.15"	3.46"
F	M75	3"	2.35"	1.99"	2.68"	120	2.24"	3.07"	4.11"	3.74"	4.09"

Os-F size metric entry threads are 1.5mm pitch as standard, 15mm length of thread.

Technical Data	
Ingress Protection	IP66, IP67, IP68* (30 metres for 7 days; special conditions may apply), IP69 to IEC/EN 60529 and NEMA 4X
Deluge Protection	to DTS01
Operating Temperature	-50°C to +80°C

NEC/CEC	
NEC Protection Class	Class I Div 1 ABCD; Class II Div 1 EFG; Class III Class I Div 2 ABCD, Class II Div 2 FG and Class III Div 2 Class I, Zone 1, AEx d IIC; AEx e IIC; Zone 21, AEx tb IIIC
CEC Protection Class	Class I Div 1 ABCD; Class II Div 1 EFG; Class III Class I Div 2 ABCD, Class II Div 2 FG and Class III Div 2 Ex db IIC Gb; Ex eb IIC Gb; Ex tb IIIC Dc
Cable Types	TC-ER-HL, ITC-HL, TC, TC-ER, PLTC, PLTC-ER, ITC, ITC-ER
c UL us Listing Number	E84940
Construction & Test Standards	UL2225, UL514B, CSA C22.2 NO. 18.3-12, CSA 22.2 60079-0, CSA 22.2 60079-1, CSA 22.2 60079-7 and CSA 22.2 60079-31

ATEX/IECEx	
ATEX/IECEx Protection Class	Ex II 2GD Ex db IIC Gb; Ex eb IIC Gb; Extb IIIC Db
ATEX Certificate No	CML 18ATEX1268X
IECEx Certificate No	CML 18.0131X
Construction & Test Standards	IEC/EN 60079-0, IEC/EN 60079-1, IEC/EN 60079-7 and IEC/EN 60079-31
Additional Certifications	EAC: TC RU C-GB HA91 B 0046 19 Inmetro: IEx 14.0272X PESO: P450038

### Ordering Information

Format for ordering is as follows:

Cable Gland Type	Size	Thread	Material
710	C	M32	Stainless Steel
710	C	1" NPT	Brass

Order Example: 710 C M32 Stainless Steel

For information on barrier options, see Page 10

Product design and specifications are subject to change without notice. Please check the Hawke website for latest specifications.

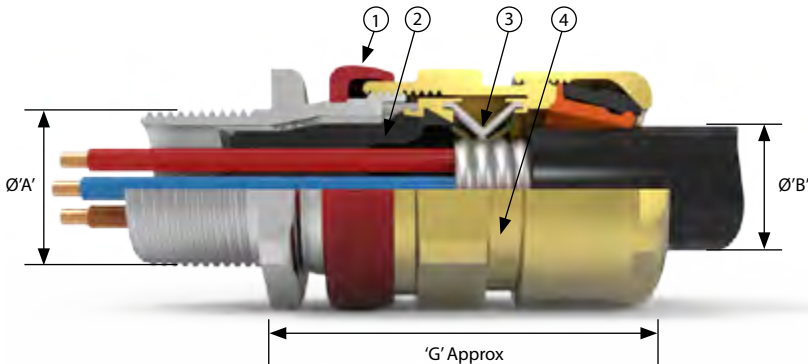


# 711

Explosion proof, IECEx and ATEX approved Flameproof Exd, Increased Safety Exe (Dual Marked UL & ATEX as standard)



International Approvals



- 1 Inspectable Deluge Seal - Offering IP66, IP67, IP68 & IP69 Ingress Protection
- 2 Transparent Elastomeric Fully Inspectable Compound Pot – compatible with both injectable resin and 2 part compound
- 3 Fully inspectable 360° grounding device which remains in contact with the cable when disassembled for inspection
- 4 Patented Cable Gland Tightening Guide - Helps prevent damage caused by over tightening
- 5 Unique Rear Seal - Offering ultimate sealing over an extremely wide cable acceptance range

The NEC® Compliant 711 dual certified Exe/Exd gland is suitable for use with continuous corrugated Aluminum Metal Clad (MC-HL) cable and provides a barrier seal around the individual cores within the cable and prevents entry of the products of an explosion into the cable. The gland features the worlds only NEC® compliant transparent elastomeric fully inspectable compound chamber.

## Cable Gland Selection Table

Size Ref.	Entry Thread Size 'A'		Cable Acceptance Details					'G'	Hexagon Dimensions		
	Metric	NPT* Standard	Inner Jacket/Cores 'ØA'			Outer Jacket 'ØB'			Across Flats	Across Corners	
			Max Over Cores	Armour Jacket		Max No of Cores	Min				Max
A	M20	¾" or ½"	0.43"	0.41"	0.64"	15	0.49"	0.81"	2.5"	1.18"	1.28"
B	M25	1" or ¾"	0.63"	0.55"	0.93"	30	0.67"	1.02"	2.59"	1.42"	1.56"
C	M32	1¼" or 1"	0.86"	0.85"	1.23"	42	0.87"	1.30"	2.93"	1.81"	1.99"
C2	M40	1½" or 1¼"	1.05"	1.17"	1.59"	60	1.10"	1.61"	3.03"	2.17"	2.39"
D	M50	2"	1.48"	1.37"	1.96"	80	1.42"	2.07"	3.9"	2.56"	2.79"
E	M63	2½"	1.93"	1.81"	2.55"	100	1.81"	2.57"	3.66"	3.15"	3.46"
F	M75	3"	2.35"	2.37"	2.98"	120	2.24"	3.07"	3.93"	3.74"	4.09"

A - F size metric entry threads are 1.5mm pitch as standard, 15mm length of thread.

## Technical Data

Ingress Protection	IP66, IP67, IP68* (30 metres for 7 days; special conditions may apply), IP69 to IEC/EN 60529 and NEMA 4X
Deluge Protection	to DTS01
Operating Temperature	-50°C to +80°C

### NEC/CEC

NEC Protection Class	Class I Div 1 ABCD; Class II Div 1 EFG; Class III Class I Div 2 ABCD, Class II Div 2 FG and Class III Div 2 Class I, Zone 1, AEx d IIC; AEx e IIC; Zone 21, AEx tb IIIC
CEC Protection Class	Class I Div 1 ABCD; Class II Div 1 EFG; Class III Class I Div 2 ABCD, Class II Div 2 FG and Class III Div 2 Ex db IIC Gb; Ex eb IIC Gb; Ex tb IIIC Db
Cable Types	ITC-HL, MC, MC-HL
c UL us Listing Number	E84940
Construction & Test Standards	UL2225, UL514B, CSA C22.2 NO. 18.3-12, CSA 22.2 60079-0, CSA 22.2 60079-1, CSA 22.2 60079-7 and CSA 22.2 60079-31

### ATEX/IECEx

ATEX/IECEx Protection Class	Ex II 2GD Ex db IIC Gb; Ex eb IIC Gb; Ex tb IIIC Db
ATEX Certificate No	CML 18ATEX1268X
IECEx Certificate No	CML 18.0131X
Construction & Test Standards	IEC/EN 60079-0, IEC/EN 60079-1, IEC/EN 60079-7 and IEC/EN 60079-31
Additional Certifications	EAC: TC RU C-Gb HA91 B 0046 19 Inmetro: IEx 14.0272X PESO: P450038

## Ordering Information

Format for ordering is as follows:

Cable Gland Type	Size	Thread	Barrier Type	Material
711	C	1" NPT	-(Standard 2-part compound)	Nickel Plated
711	C	1" NPT	EP (Express Resin)	Stainless Steel

Two part sealing compound and assembly instructions are supplied with the cable gland

Order Example: 711 C 1"NPT EP Stainless Steel

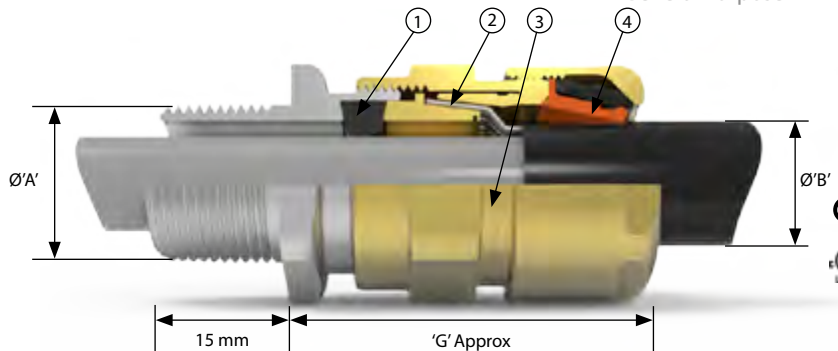
For information on barrier options, see Page 10

153 X

North American  
General Purpose



- 1 Elastomeric seal on cable inner sheath
- 2 Fully Inspectable Armour Clamp
- 3 Patented Cable Gland Tightening Guide - Helps prevent damage caused by over tightening
- 4 Unique Rear Seal - Offering ultimate sealing over an extremely wide cable acceptance range



International Approvals  
CE  
UL

The 153/X Cable Gland is general purpose cable gland for use with wire braid, steel wire armour, elastomer and plastic insulated cables. The gland provides an elastomeric seal on the cable inner sheath, and a low smoke, zero halogen IP and retention seal onto the cable outer sheath.

**Cable Gland Selection Table**

Size Ref.	Entry Thread Size <sup>A</sup>		Cable Acceptance Details								'G'	Hexagon Dims	
	Metric	NPT* Standard or Option	Standard Seal		Alternative Seal (S)		Outer Jacket 'B'		Armour / Braid 'C'			Across Flats	Across Corners
			Min	Max	Min	Max	Min	Max	Orientation 1	Orientation 2			
Os	M20 <sup>2</sup>	½"	0.13"	0.31"	-	-	0.22"	0.47"	0.0315"/0.0492"	0"/0.0315"	2.05"	0.94"	1.04"
O	M20 <sup>2</sup>	½"	0.26"	0.47"	-	-	0.41"	0.63"	0.0315"/0.0492"	0"/0.0315"	2.05"	0.94"	1.04"
A	M20	¾" or ½"	0.39"	0.58"	0.35"	0.53"	0.50"	0.81"	0.0315"/0.0492"	0"/0.0315"	2.09"	1.18"	1.28"
B	M25	1" or ¾"	0.51"	0.79"	0.37"	0.61"	0.67"	1.02"	0.0492"/0.063"	0"/0.0276"	2.34"	1.42"	1.56"
C	M32	1¼" or 1"	0.77"	1.04"	0.61"	0.83"	0.98"	1.30"	0.063"/0.0787"	0"/0.0276"	2.52"	1.81"	1.99"
C2	M40	1½" or 1¼"	0.98"	1.28"	0.87"	1.10"	1.30"	1.61"	0.063"/0.0787"	0"/0.0276"	2.69"	2.17"	2.39"
D	M50	2" or 1½"	1.24"	1.75"/1.66" <sup>1</sup>	1.08"	1.37"	1.56"	2.07"	0.0709"/0.0984"	0"/0.0394"	3.11"	2.56"	2.79"
E	M63	2½" or 2"	1.67"	2.22"/2.14" <sup>1</sup>	1.54"	1.83"	2.05"	2.57"	0.0709"/0.0984"	0"/0.0394"	3.09"	3.15"	3.46"
F	M75	3" or 2½"	2.15"	2.69"/2.57" <sup>1</sup>	1.95"	2.3"	2.52"	3.07"	0.0709"/0.0984"	0"/0.0394"	3.30"	3.74"	4.09"
H	M90	3" or 3½"	2.64"	3.06"	-	-	2.96"	3.52"	0.0787"/0.1378"	0"/0.0394"	3.76"	4.53"	5.12"

Os-F size metric entry threads are 1.5mm pitch as standard, 15mm length of thread.

For H size glands, a 2mm pitch is supplied as standard, 20mm length of thread (1.5mm pitch with 15mm length of thread can be supplied) please specify when ordering.

<sup>1</sup> Smaller value is applicable when selecting reduced NPT entry option.

<sup>2</sup> Sizes Os and O are available with an M16 thread size. For O size with M16 thread, the maximum cable inner jacket diameter is 0.43"

**Technical Data**

Area Classification	UL listed for use Wet Locations
UL Listing	E218332
Construction & Test Standards	UL 514B
Ingress Protection	IP66, IP67, IP68 (30 metres for 7 days) to IEC/EN 60529 and NEMA 4X
Deluge Protection	DTS01
Operating Temperature	-50°C to +60°C

**Alternative Reversible Armour Clamping Ring Size Selection**

Size Ref	Orientation 1	Orientation 2
B	0.0354" - 0.0492"	0.0197" - 0.0354"
C	0.0472" - 0.063"	0.0236" - 0.0472"
C2	0.0472" - 0.063"	0.0236" - 0.0472"
D	0.0571" - 0.0709"	0.0394" - 0.0571"
E	0.0571" - 0.0709"	0.0394" - 0.0571"
F	0.0571" - 0.0709"	0.0394" - 0.0571"

**Ordering Information**

Format for ordering is as follows:

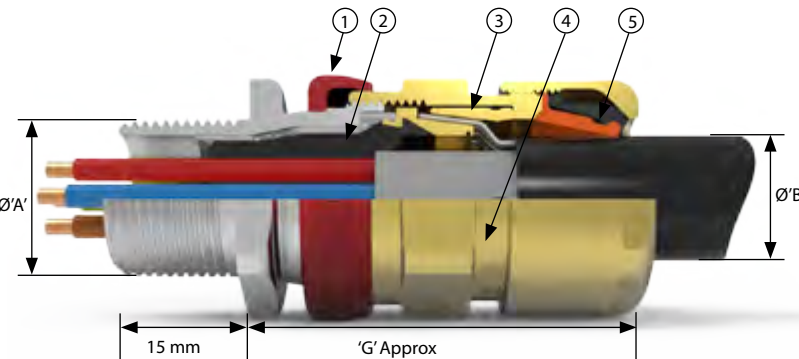
Cable Gland Type	Size	Thread	Material
153/X	C	1" NPT	S

Order Example: 153/X C M32 S



# 753

North American  
Explosion proof, IECEx and ATEX Approved Flameproof Exd, Increased Safety Exe  
(Dual Marked UL & ATEX as standard)



- 1 Inspectable Deluge Seal  
- Offering IP66, IP67, IP68 & IP69 Ingress Protection
- 2 Transparent Elastomeric Fully Inspectable Compound Pot – compatible with both injectable resin and 2 part compound
- 3 Reversible Armour Clamp  
- For all types of armour and braid
- 4 Patented Cable Gland Tightening Guide  
- Helps prevent damage caused by over tightening
- 5 Unique Rear Seal - Offering ultimate sealing over an extremely wide cable acceptance range

The NEC® Compliant 753 dual certified Exe/Exd gland is now suitable for use with single wire armour 'W', wire braid 'X', steel tape armour 'Z' and provides a barrier seal to the individual cores within the cable and prevents entry of the products of an explosion into the cable. The gland features the worlds only NEC® compliant transparent elastomeric fully inspectable compound chamber. The 753 is available with either ExPress liquid barrier resin or QSP 2-part hand mix compound, both with a cure time of 30 minutes.

## Cable Gland Selection Table

Size Ref.	Entry Thread Size 'A'		Cable Acceptance Details							'G'	Hexagon Dimensions	
	Metric	NPT* Standard	Inner Jacket Cores 'θA'			Outer Jacket 'θB'		Armour / Braid 'θC'			Across Flats	Across Corners
			Max Over Cores	Max Inner Jacket	Max No Cores	Min	Max	Orientation 1	Orientation 2			
Os	M20	½"	0.31"	0.32"	12	0.22"	0.47"	0.0315"/0.0492"	0°/0.0315"	2.3"	0.94"	1.04"
O	M20	½"	0.35"	0.46"	12	0.37"	0.63"	0.0315"/0.0492"	0°/0.0315"	2.3"	0.94"	1.04"
A	M20	¾" or ½"	0.43"	0.55"	15	0.49"	0.81"	0.0315"/0.0492"	0°/0.0315"	2.39"	1.18"	1.28"
B	M25	1" or ¾"	0.63"	0.78"	30	0.67"	1.02"	0.0492"/0.063"	0°/0.0276"	2.65"	1.42"	1.56"
C	M32	1¼" or 1"	0.86"	1.03"	42	0.87"	1.30"	0.063"/0.0787"	0°/0.0276"	2.88"	1.81"	1.99"
C2	M40	1½" or 1¼"	1.05"	1.27"	60	1.10"	1.61"	0.063"/0.0787"	0°/0.0276"	3.08"	2.17"	2.39"
D	M50	2"	1.48"	1.74"	80	1.42"	2.07"	0.0709"/0.0984"	0°/0.0394"	3.84"	2.56"	2.79"
E	M63	2½"	1.93"	2.20"	100	1.81"	2.57"	0.0709"/0.0984"	0°/0.0394"	3.68"	3.15"	3.46"
F	M75	3"	2.35"	2.68"	120	2.24"	3.07"	0.0709"/0.0984"	0°/0.0394"	4.11"	3.74"	4.09"

Os-F size metric entry threads are 1.5mm pitch as standard, 15mm length of thread. Oversize glands are available. Please contact Hawke for more details

## Technical Data

Ingress Protection	IP66, IP67, IP68* (30 metres for 7 days; special conditions may apply), IP69 to IEC/EN 60529 and NEMA 4X
Deluge Protection	to DTS01
Operating Temperature	-50°C to +80°C

### NEC/CEC

NEC Protection Class	Class I Div 1 ABCD, Class II Div 1 EFG and Class III Class I, Zone I, AEx d IIC; AEx e IIC; Zone 21, AEx tb IIIC	Class I Div 2 ABCD, Class II Div 2 FG and Class III Div 2
CEC Protection Class	Class I Div 1 ABCD, Class II Div 1 EFG and Class III Ex db IIC Gb; Ex eb IIC Gb; Ex tb IIIC Db	Class I Div 2 ABCD, Class II Div 2 FG and Class III Div 2
Cable Types	ITC, PLT	
c UL us Listing Number	E84940	
Construction & Test Standards	UL2225, UL514B, CSA C22.2 NO. 18.3-12, CSA 22.2 60079-0, CSA 22.2 60079-1, CSA 22.2 60079-7 and CSA 22.2 60079-31	

### ATEX/IECEx

ATEX/IECEx Protection Class	Ex II 2GD Ex db IIC Gb; Ex eb IIC Gb; Ex tb IIIC Db	
ATEX Certificate No	CML 18ATEX1268X	
IECEx Certificate No	CML 18.0131X	
Construction & Test Standards	IEC/EN 60079-0, IEC/EN 60079-1, IEC/EN 60079-7 and IEC/EN 60079-31	
Additional Certifications	EAC: TC RU C-GB HA91 B 0046 19 Inmetro: IEx 14.0272X PESO: P450038	

## Ordering Information

Format for ordering is as follows: Alternative Clamping Ring (AR), add suffix AR to ordering information

Cable Gland Type	Size	Thread	Material
753	C	M32	Brass
753	C	1" NPT	Stainless Steel

Example Code: 753 C M32 EP Stainless Steel

Alternative Reversible Armour Clamping Ring Size Selection		
Size Ref	Orientation 1	Orientation 2
B	0.0354" - 0.0492"	0.0197" - 0.0354"
C	0.0472" - 0.063"	0.0236" - 0.0472"
C2	0.0472" - 0.063"	0.0236" - 0.0472"
D	0.0571" - 0.0709"	0.0394" - 0.0571"
E	0.0571" - 0.0709"	0.0394" - 0.0571"
F	0.0571" - 0.0709"	0.0394" - 0.0571"



# EA ENCLOSURES

- Use in Zones 1/21 & 2/22
- Radical sloped face design
- Unmatched corrosion resistance
- Faster Installation
- Easy Inspection
- Retrofit options
- Drop Restraint feature
- Internationally Approved

Simplify your Engineering Projects with **BoxHUBB**



**BoxHubb** is Hawke's fast, free and simple solution for configuring enclosures online. Use **BoxHubb** for a fast, accurate, and globally accessible way to making your Enclosure design process faster than ever before. Go to [www.ehawke.com/designhubb](http://www.ehawke.com/designhubb)

# Industrial Cable Glands

The Hawke International range of Industrial Cable Glands retain many of the patented features found in our hazardous area glands.

Designed for the harshest environments and tested to the latest standards, our range of Industrial Cable Glands are used in a multitude of environments - offshore wind, petrochemical, rail, heavy industry, data centres, pharmaceutical and many, many more.



## FIREMATE™

The **FireMate** cable gland range is tested to the latest industrial and fire standards (BS EN 61984, voltage directive LVD 2014/35/EU, BSEN50200:2006 and BS8434-2:2003 + A2 2009) and will maintain its structural integrity in the world's most severe environments.

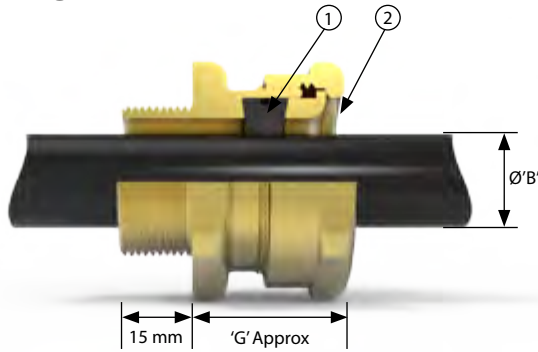
Ideal for underground and overground rail networks, marine safety and commercial and public building applications.





# 121

Industrial gland for indoor or outdoor use



- 1 Elastomeric seal on cable inner sheath
- 2 Rounded Cable entry to prevent cable damage

The 121 industrial cable gland is intended for use on non-armoured elastomer and plastic insulated cables in indoor and outdoor applications. This cable gland may be used with braided cables where the braid and outer sheath pass into the enclosure. The braid must then be suitably terminated inside the enclosure.

## Cable Gland Selection Table

Size Ref.	Entry Thread Size 'A'		Cable Acceptance Details				'G'	Hexagon Dimensions	
	Metric	NPT* Standard	Outer Sheath 'B'					Across Flats	Across Corners
			Standard Seal		Alternative Seal (S)				
			Min	Max	Min	Max			
2K	M16	–	3.2	8	–	–	23.5	19.0	21.2
Os	M20 <sup>2</sup>	½"	3.2	8	–	–	23.8	24.0	26.5
O	M20 <sup>2</sup>	½"	6.5	11.9	–	–	23.8	24.0	26.5
A	M20	¾" or ½"	10	14.3	9	13.4	24.8	30.0	32.5
B	M25	1" or ¾"	13	20.2	9.5	15.4	25.8	36.0	39.5
C	M32	1¼" or 1"	19.5	26.5	15.5	21.2	28.2	46.0	50.5
C2	M40	1½" or 1¼"	25	32.5	22	28.0	29.5	55.0	60.6
D	M50	2" or 1½"	31.5	44.4 / 42.3 <sup>1</sup>	27.5	34.8	40.4	65.0	70.8
E	M63	2½" or 2"	42.5	56.3 / 54.3 <sup>1</sup>	39	46.5	38.2	80.0	88.0
F	M75	3" or 2½"	54.5	68.2 / 65.3 <sup>1</sup>	49.5	58.3	40.5	95.0	104.0
G	M80	3½"	67	73	–	–	41.0	106.4	115.0
H	M90	3½"	67	77.6	–	–	41.0	115.0	130.0
J	M100	4"	75	91.6	–	–	41.0	127.0	142.0

All dimensions in millimetres (except \* where dimensions are in inches). 2K-F size metric entry threads are 1.5mm pitch as standard, 15mm length of thread.

For G size glands and above, a 2mm pitch is supplied as standard, 20mm length of thread (1.5mm pitch with 15mm length of thread can be supplied) please specify when ordering.

<sup>1</sup> Smaller value is applicable when selecting reduced NPT entry option.

<sup>2</sup> Sizes Os and O are available with an M16 thread size. For O size with M16 thread, the maximum cable outer sheath diameter is 10.9mm

## Technical Data

Construction & Test Standards	BS EN 62444:2013, BS 6121: Part 1 Type A2
Ingress Protection	IP66 and IP67 to BS EN 60529
Deluge Protection	Deluge Protection to DTS01
Operating Temperature	-60°C to +100°C

## Ordering Information

Format for ordering is as follows: Alternative Seal (S), add suffix S to ordering information

Cable Gland Type	Size	Thread	(Optional)
121	C	M32	S
121	C	1¼" NPT	S

Order Example: 121 C M32 S

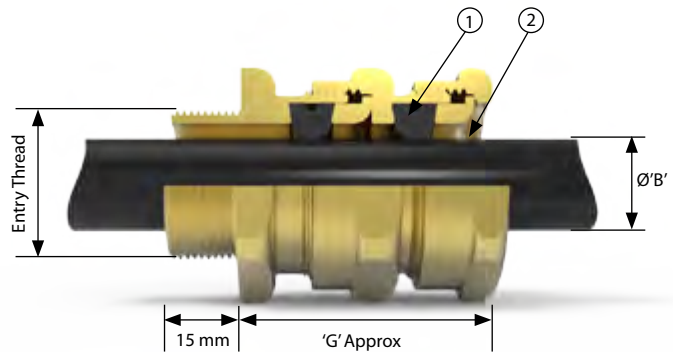
123



Industrial gland for indoor or outdoor use



- 1 Elastomeric seal on cable inner sheath
- 2 Rounded Cable entry to prevent cable damage



The 123 dual seal industrial cable gland incorporates two independent seals and is intended for use on non-armoured elastomer and plastic insulated cables in indoor or outdoor applications. This cable gland may be used with braided cables where the braid and outer sheath pass into the enclosure. The braid must then be suitably terminated inside the enclosure. The two seals provide superior cable retention over standard unarmoured cable glands.

Cable Gland Selection Table									
Size Ref.	Entry Thread Size 'A'		Cable Acceptance Details				'G'	Hexagon Dimensions	
	Metric	NPT* Standard	Outer Sheath 'B'					Across Flats	Across Corners
			Standard Seal		Alternative Seal (S)				
Min	Max	Min	Max	Min	Max				
Os	M20 <sup>2</sup>	½"	3.2	8	–	–	40.0	24.0	26.5
O	M20 <sup>2</sup>	½"	6.5	11.9	–	–	40.0	24.0	26.5
A	M20	¾" or ½"	10	14.3	9	13.4	43.0	30.0	32.5
B	M25	1" or ¾"	13	20.2	9.5	15.4	46.6	36.0	39.5
C	M32	1¼" or 1"	19.5	26.5	15.5	21.2	48.8	46.0	50.5
C2	M40	1½" or 1¼"	25	32.5	22	28.0	51.1	55.0	60.6
D	M50	2" or 1½"	31.5	44.4 / 42.3 <sup>1</sup>	27.5	34.8	67.7	65.0	70.8
E	M63	2½" or 2"	42.5	56.3 / 54.3 <sup>1</sup>	39	46.5	65.2	80.0	88.0
F	M75	3" or 2½"	54.5	68.2 / 65.3 <sup>1</sup>	49.5	58.3	67.5	95.0	104.0
G	M80	3½"	67	73	–	–	68.0	106.4	115.0
H	M90	3½"	67.0	77.6	–	–	68.0	115.0	130.0
J	M100	4"	75.0	91.6	–	–	68.0	127.0	142.0

All dimensions in millimetres (except \* where dimensions are in inches). Os-F size metric entry threads are 1.5mm pitch as standard, 15mm length of thread.  
For G size glands and above, a 2mm pitch is supplied as standard, 20mm length of thread (1.5mm pitch with 15mm length of thread can be supplied).

<sup>1</sup>Smaller value is applicable when selecting reduced NPT entry option.

<sup>2</sup>Sizes Os and O are available with an M16 thread size. For O size with M16 thread, the maximum cable outer sheath diameter is 10.9mm

Technical Data	
Construction & Test Standards	BS EN 62444:2013, BS 6121: Part 1 Type A2
Ingress Protection	IP66 and IP67 to IEC/EN 60529
Deluge Protection	Deluge Protection to DTS01
Operating Temperature	-60°C to +100°C

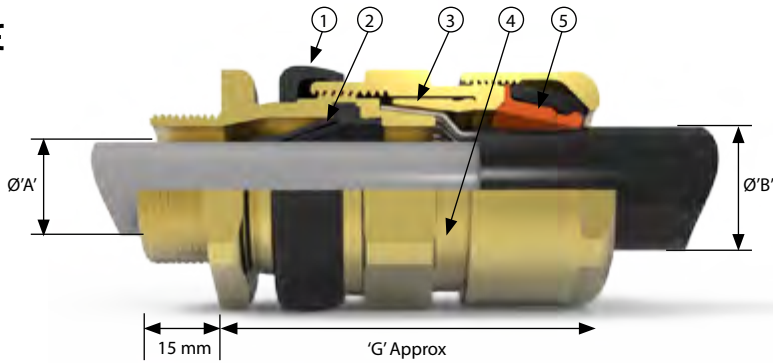
Ordering Information			
Format for ordering is as follows: Alternative Seal (S), add suffix S to ordering information			
Cable Gland Type	Size	Thread	(Optional)
123	C	M32	S
123	C	1¼" NPT	S

Order Example: 123 C M32 S



# 153/UNIV

Industrial gland for indoor or outdoor use



- 1 Inspectable Deluge Seal  
- Offering IP66, IP67, IP68 & IP69 Ingress Protection
- 2 Passive diaphragm seal  
- Suitable for cables exhibiting 'Cold Flow'. Fully inspectable
- 3 Reversible Armour Clamp - For all types of armour and braid
- 4 Patented Cable Gland Tightening Guide  
- Helps prevent damage caused by over tightening
- 5 Unique Rear Seal - Offering ultimate sealing over an extremely wide cable acceptance range

The industrial 153/Universal Cable Gland is robust and for use with single wire armour 'W', wire braid 'X', steel tape armour 'Z', elastomer and plastic insulated cables. For particular use with cables that exhibit 'Cold Flow' characteristics.

## Cable Gland Selection Table

Size Ref.	Entry Thread Size 'A'		Cable Acceptance Details						'G'	Hexagon Dimensions	
	Metric	NPT* Standard	Inner Sheath		Outer Sheath 'B'		Armour Braid 'C'			Across Flats	Across Corners
			Min	Max	Min	Max	Orientation 1	Orientation 2			
Os	M20 <sup>2</sup>	½"	3.5	8.1	5.5	12	0.8/1.25	0.0/0.8	58.4	24	26.5
O	M20 <sup>2</sup>	½"	6.5	11.4	9.5	16	0.8/1.25	0.0/0.8	58.4	24	26.5
A	M20	¾" or ½"	8.4	14.3	12.5	20.5	0.8/1.25	0.0/0.8	59.6	30	32.5
B	M25	1" or ¾"	11.1	19.7	16.9	26	1.25/1.6	0.0/0.7	66.4	36	39.5
C	M32	1¼" or 1"	17.6	26.5	22	33	1.6/2.0	0.0/0.7	71.2	46	50.5
C2	M40	1½" or 1¼"	23.1	32.5	28	41	1.6/2.0	0.0/0.7	75.2	55	60.6
D	M50	2" or 1½"	28.9	44.4/42.3 <sup>1</sup>	36	52.6	1.8/2.5	0.0/1.0	98	65	70.8
E	M63	2½" or 2"	39.9	56.3/54.3 <sup>1</sup>	46	65.3	1.8/2.5	0.0/1.0	94.4	80	88.0
F	M75	3" or 2½"	50.5	68.2/65.3 <sup>1</sup>	57	78	1.8/2.5	0.0/1.0	102	95	104.0
G	M80	3½"	67	73	75	89.5	2.0/3.5	0.0/1.0	90.6	106.4	115.0
H	M90	3½"	67	77.6	75	89.5	2.0/3.5	0.0/1.0	90.6	115	130.0
J	M100	4"	75	91.6	88	104.5	2.5/4.0	0.0/1.0	90.6	127	142.0

All dimensions in millimetres (except \* where dimensions are in inches). Os - F size metric entry threads are 1.5mm pitch as standard, 15mm length of thread. For G size glands and above, a 2mm pitch is supplied as standard, 20mm length of thread (1.5mm pitch with 15mm length of thread can be supplied) please specify when ordering. G size and above are available in the 153/RAC design style.

<sup>1</sup>Smaller value is applicable when selecting reduced NPT entry option.

<sup>2</sup>Sizes Os and O are available with an M16 thread size. For O size with M16 thread, the maximum cable outer sheath diameter is 10.9mm

## Technical Data

Construction & Test Standards	BS EN 62444:2013, BS 6121: Part 1 Type E1W, E1X, E1Y and E1Z
Ingress Protection	IP66, IP67, IP68 (30 metres for 7 days, special conditions apply) and IP69 to IEC/EN 60529
Deluge Protection	DTS01
Operating Temperature	-60°C to +80°C

## Alternative Reversible Armour Clamping Ring Size Selection

Size Ref	Orientation 1	Orientation 2
B	0.9 - 1.25	0.5 - 0.9
C	1.2 - 1.6	0.6 - 1.2
C2	1.2 - 1.6	0.6 - 1.2
D	1.45 - 1.8	1.0 - 1.45
E	1.45 - 1.8	1.0 - 1.45
F	1.45 - 1.8	1.0 - 1.45

## Ordering Information

Format for ordering is as follows: Alternative Clamping Ring (AR), add suffix AR to ordering information

Cable Gland Type	Size	Thread	Material	(Optional)
153/UNIV	C	M32	Brass	AR
153/UNIV	C	1¼" NPT	NP Brass	AR

Example Code: 153/UNIV C M32 Stainless

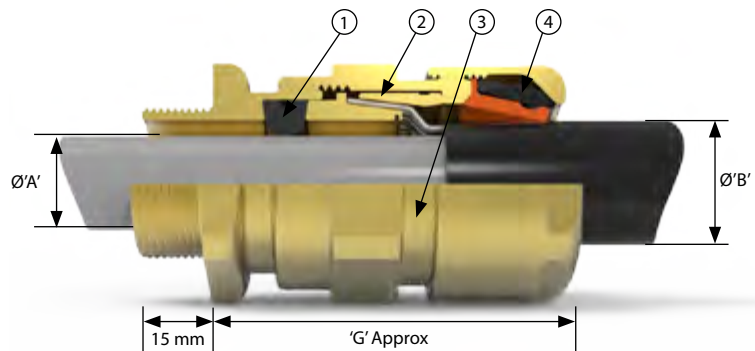


# 153/RAC

Industrial gland for indoor or outdoor use



- 1 Elastomeric seal on cable inner sheath
- 2 Fully Inspectable Armour Clamp
- 3 Patented Cable Gland Tightening Guide - Helps prevent damage caused by over tightening
- 4 Unique Rear Seal - Offering ultimate sealing over an extremely wide cable acceptance range



The 153/RAC Cable Gland is an industrial gland for indoor or outdoor use, robust and for use with single wire armour 'W', wire braid 'X', steel tape armour 'Z', elastomer and plastic insulated cables. The gland provides an elastomeric seal on the cable inner sheath, and a low smoke, zero halogen IP and retention seal onto the cable outer sheath.

## Cable Gland Selection Table

Size Ref.	Entry Thread Size 'A'		Cable Acceptance Details							Hexagon Dimensions			
	Metric	NPT* Standard	Inner Sheath				Outer Sheath 'B'		Armour Braid 'C'		'G'	Across Flats	Across Corners
			Std Seal	Alt Seal (S)	Min	Max	Orientation 1	Orientation 2					
Os	M20 <sup>2</sup>	½"	3.2	8	-	-	5.5	12.0	0.8/1.25	0.0/0.8	52.0	24.0	26.5
O	M20 <sup>2</sup>	½"	6.5	11.9	-	-	9.5	16.0	0.8/1.25	0.0/0.8	52.0	24.0	26.5
A	M20	¾" or ½"	10	14.3	9	14.3	12.5	20.5	0.8/1.25	0.0/0.8	53.0	30.0	32.5
B	M25	1" or ¾"	13	20.2	9.5	15.4	16.9	26.0	1.25/1.6	0.0/0.7	69.5	36.0	39.5
C	M32	1¼" or 1"	19.5	26.5	15.5	21.2	22.0	33.0	1.6/2.0	0.0/0.7	64.0	46.0	50.5
C2	M40	1½" or 1¼"	25	32.5	22	28	28.0	41.0	1.6/2.0	0.0/0.7	68.3	55.0	60.6
D	M50	2" or 1½"	31.5	44.4/42.3 <sup>1</sup>	27.5	34.8	36.0	52.6	1.8/2.5	0.0/1.0	79.0	65.0	70.8
E	M63	2½" or 2"	42.5	56.3/54.3 <sup>1</sup>	39	46.5	46.0	65.3	1.8/2.5	0.0/1.0	78.9	80.0	88.0
F	M75	3" or 2½"	54.5	68.2/65.3 <sup>1</sup>	49.5	58.3	57.0	78.0	1.8/2.5	0.0/1.0	83.7	95.0	104.0
G	M80	3½"	67	73	-	-	75.0	89.5	2.0/3.5	0.0/1.0	95.6	106.4	115.0
H	M90	3½"	67	77.6	-	-	75.0	89.5	2.0/3.5	0.0/1.0	95.6	115.0	130.0
J	M100	4"	75	91.6	-	-	88.0	104.5	2.5/4.0	0.0/1.0	95.6	127.0	142.0

All dimensions in millimetres (except \* where dimensions are in inches). Os - F size metric entry threads are 1.5mm pitch as standard, 15mm length of thread. For G size glands and above, a 2mm pitch is supplied as standard, 20mm length of thread (1.5mm pitch with 15mm length of thread can be supplied) please specify when ordering.

<sup>1</sup>Smaller value is applicable when selecting reduced NPT entry option.

<sup>2</sup>Sizes Os and O are available with an M16 thread size. For O size with M16 thread, the maximum cable outer sheath diameter is 10.9mm

## Technical Data

Construction & Test Standards	BS EN 62444:2013, BS 6121: Part 1 Type E1W, E1X, E1Y and E1Z
Ingress Protection	IP66, IP67 and IP68 (30 metres for 7 days) to IEC/EN 60529 and NEMA 4X (when installed with a Hawke IP washer)
Operating Temperature	-60°C to +80°C

## Alternative Reversible Armour Clamping Ring Size Selection

Size Ref	Orientation 1	Orientation 2
B	0.9 - 1.25	0.5 - 0.9
C	1.2 - 1.6	0.6 - 1.2
C2	1.2 - 1.6	0.6 - 1.2
D	1.45 - 1.8	1.0 - 1.45
E	1.45 - 1.8	1.0 - 1.45
F	1.45 - 1.8	1.0 - 1.45

## Ordering Information

Format for ordering is as follows: Alternative Seal (S), Alternative Clamping Ring (AR), add suffix S and/or AR to ordering information

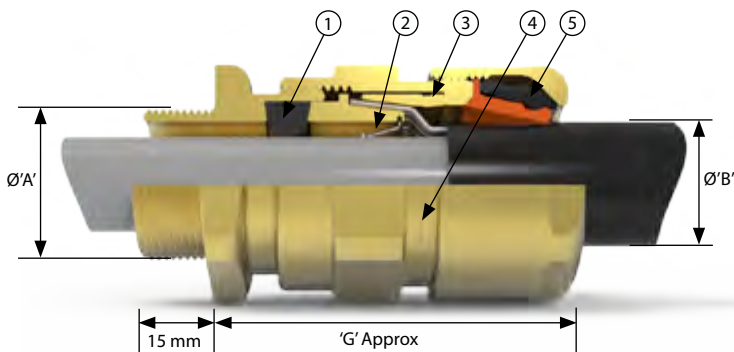
Cable Gland Type	Size	Thread	Material	(Optional)
153/RAC	C	M32	Brass	AR
153/RAC	C	1¼" NPT	Brass	S

Order Example: 153/RAC C M32 BRASS AR



# 153/RAC/L

For Lead Sheath Cables. Industrial gland for indoor or outdoor use



- 1 Elastomeric seal on cable inner sheath
- 2 Electrical Bond on the cables lead inner sheath
- 3 Reversible Armour Clamp - For all types of armour and braid.
- 4 Patented Cable Gland Tightening Guide - Helps prevent damage caused by over tightening
- 5 Unique Rear Seal - Offering ultimate sealing over an extremely wide cable acceptance range

The 153/RAC/L Cable Gland is an industrial gland for indoor or outdoor use on Lead Sheath Cables. Robust and for use with single wire armour 'W', wire braid 'X', steel tape armour 'Z', elastomer and plastic insulated cables. The gland provides an elastomeric seal on the cable inner sheath, and a low smoke, zero halogen IP and retention seal onto the cable outer sheath.

## Cable Gland Selection Table

Size Ref.	Entry Thread Size 'A'		Cable Acceptance Details								Hexagon Dimensions		
	Metric	NPT* Standard	Inner Sheath				Outer Sheath 'B'		Armour Braid 'C'		'G'	Across Flats	Across Corners
			Std (L) Seal +Bond		Alt Seal (S)		Min	Max	Orientation 1	Orientation 2			
			Min	Max	Min	Max	Min	Max					
O	M20 <sup>2</sup>	½"	6.5	10.2	-	-	9.5	16.0	0.8/1.25	0.0/0.8	52.0	24.0	26.5
A	M20	¾" or ½"	10.0	14.3	9	12.5	12.5	20.5	0.8/1.25	0.0/0.8	53.0	30.0	32.5
B	M25	1" or ¾"	13.0	18	9.5	15.4	16.9	26.0	1.25/1.6	0.0/0.7	69.5	36.0	39.5
C	M32	1¼" or 1"	19.5	24.3	15.5	21.2	22.0	33.0	1.6/2.0	0.0/0.7	64.0	46.0	50.5
C2	M40	1½" or 1¼"	25.0	30.3	22	28	28.0	41.0	1.6/2.0	0.0/0.7	68.3	55.0	60.6
D	M50	2" or 1½"	31.5	41.91	27.5	34.8	36.0	52.6	1.8/2.5	0.0/1.0	79.0	65.0	70.8
E	M63	2½" or 2"	42.5	52.9	39	46.5	46.0	65.3	1.8/2.5	0.0/1.0	78.9	80.0	88.0
F	M75	3" or 2½"	54.5	64.9/64.3 <sup>1</sup>	49.5	58.3	57.0	78.0	1.8/2.5	0.0/1.0	83.7	95.0	104.0
G	M80	3½"	67.0	70	-	-	75.0	89.5	2.0/3.5	0.0/1.0	95.6	106.4	115.0
H	M90	3½"	67.0	75	-	-	75.0	89.5	2.0/3.5	0.0/1.0	95.6	115.0	130.0
J	M100	4"	75.0	89.5	-	-	88.0	104.5	2.5/4.0	0.0/1.0	95.6	127.0	142.0

All dimensions in millimetres (except \* where dimensions are in inches). Os - F size metric entry threads are 1.5mm pitch as standard, 15mm length of thread. For G size glands and above, a 2mm pitch is supplied as standard, 20mm length of thread (1.5mm pitch with 15mm length of thread can be supplied) please specify when ordering.

<sup>1</sup>Smaller value is applicable when selecting reduced NPT entry option.

<sup>2</sup>Sizes Os and O are available with an M16 thread size. For O size with M16 thread, the maximum cable outer sheath diameter is 10.9mm

## Technical Data

Construction & Test Standards	BS EN 62444:2013, BS 6121: Part 1 Type E2W, E2X, E2Y and E2Z
Ingress Protection	IP66, IP67 and IP68 (30 metres for 7 days) to IEC/EN 60529 and NEMA 4X
Deluge Protection	DTS01
Operating Temperature	-60°C to +80°C

## Alternative Reversible Armour Clamping Ring Size Selection

Size Ref	Orientation 1	Orientation 2
B	0.9 - 1.25	0.5 - 0.9
C	1.2 - 1.6	0.6 - 1.2
C2	1.2 - 1.6	0.6 - 1.2
D	1.45 - 1.8	1.0 - 1.45
E	1.45 - 1.8	1.0 - 1.45
F	1.45 - 1.8	1.0 - 1.45

## Ordering Information

Format for ordering is as follows: Alternative Seal (S), Alternative Ring (AR), add suffix S and/or AR to ordering information

Cable Gland Type	Size	Thread	Material	(Optional)
153/RAC/L	C	M32	Brass	AR
153/RAC/L	C	1¼" NPT	Brass	S

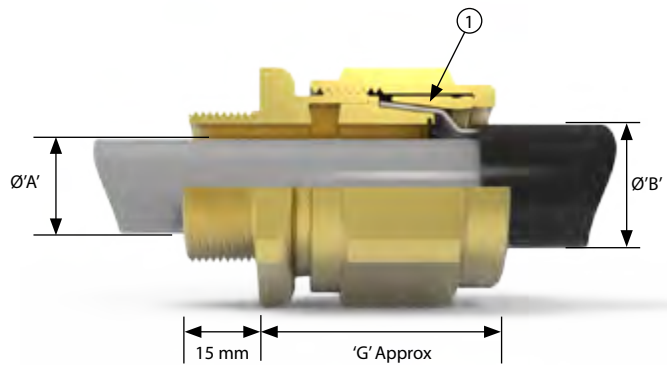
Order Example: 153/RAC/L C M32 Brass AR

# 150/RAC

Industrial gland for indoor use



- 1 Reversible Armour Clamp  
- For all types of armour and braid.



The 150/RAC Cable Gland is an industrial gland for indoor or outdoor use, robust and for use with single wire armour 'W', wire braid 'X', steel tape armour 'Z', elastomer and plastic insulated cables.

Cable Gland Selection Table									
Size Ref.	Entry Thread Size 'A'		Cable Acceptance Details				'G'	Hexagon Dimensions	
	Metric	NPT* Standard	Inner Sheath	Outer Sheath 'B'	Armour Braid 'C'			Across Flats	Across Corners
			Max	Max	Orientation 1	Orientation 2			
O	M20 <sup>2</sup>	½"	11.9	16.0	0.8 / 1.25	0.0 / 0.8	37.0	24.0	26.5
A	M20	¾" or ½"	14.3	20.5	0.8 / 1.25	0.0 / 0.8	38.2	30.0	32.5
B	M25	1" or ¾"	20.2	26.0	1.25 / 1.6	0.0 / 0.7	42.7	36.0	39.5
C	M32	1¼" or 1"	26.5	33.0	1.6 / 2.0	0.0 / 0.7	46.9	46.0	50.5
C2	M40	1½" or 1¼"	32.5	41.0	1.6 / 2.0	0.0 / 0.7	49.9	55.0	60.6
D	M50	2" or 1½"	44.4 / 42.3 <sup>1</sup>	52.6	1.8 / 1.25	0.0 / 1.0	63.5	65.0	70.8
E	M63	2½" or 2"	56.3 / 54.3 <sup>1</sup>	65.3	1.8 / 2.5	0.0 / 1.0	60.4	80.0	88.0
F	M75	3" or 2½"	68.2 / 65.3 <sup>1</sup>	78.0	1.8 / 2.5	0.0 / 1.0	63.2	95.0	104.0

All dimensions in millimetres (except \* where dimensions are in inches). O - F size metric entry threads are 1.5mm pitch as standard, 15mm length of thread.

<sup>1</sup> Smaller value is applicable when selecting reduced NPT entry option.

<sup>2</sup> Sizes Os and O are available with an M16 thread size. For O size with M16 thread, the maximum cable outer sheath diameter is 10.9mm.

Technical Data	
Construction & Test Standards	BS EN 62444:2013, BS 6121: Part 1 Type BW, TX, BY and BZ
Operating Temperature	-60°C to +100°C

Alternative Reversible Armour Clamping Ring Size Selection		
Size Ref	Orientation 1	Orientation 2
B	0.9 - 1.25	0.5 - 0.9
C	1.2 - 1.6	0.6 - 1.2
C2	1.2 - 1.6	0.6 - 1.2
D	1.45 - 1.8	1.0 - 1.45
E	1.45 - 1.8	1.0 - 1.45
F	1.45 - 1.8	1.0 - 1.45

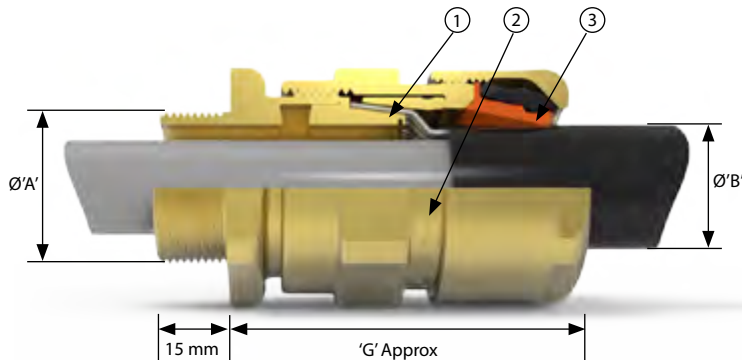
Ordering Information			
Format for ordering is as follows: Alternative Ring (AR), add suffix AR to ordering information			
Cable Gland Type	Size	Thread	(Optional)
150/RAC	C	M32	AR
150/RAC	C	1¼" NPT	AR

Order Exampe: 150/RAC C M32 AR



# 151/RAC

Industrial gland for indoor or outdoor use



- 1 Reversible Armour Clamp  
- For all types of armour and braid
- 2 Patented Cable Gland Tightening Guide  
- Helps prevent damage caused by over tightening
- 3 Unique Rear Seal  
- Offering ultimate sealing over an extremely wide cable acceptance range

The 151/RAC Cable Gland is an industrial gland for indoor or outdoor use, robust and for use with single wire armour, wire braid, steel tape armour, elastomer and plastic insulated cables. The gland provides a low smoke, zero halogen IP and retention seal onto the cable outer sheath.

## Cable Gland Selection Table

Size Ref.	Entry Thread Size 'A'		Cable Acceptance Details					'G'	Hexagon Dimensions	
	Metric	NPT* Standard	Inner Sheath Max	Outer Sheath 'B'		Armour Braid 'C'			Across Flats	Across Corners
				Min	Max	Orientation 1	Orientation 2			
Os	M20 <sup>2</sup>	½"	8.0	5.5	12.0	0.8 / 1.25	0.0 / 0.8	52.0	24.0	26.5
O	M20 <sup>2</sup>	½"	11.9	9.5	16.0	0.8 / 1.25	0.0 / 0.8	53.0	30.0	32.5
A	M20	¾" or ½"	14.3	12.5	20.5	0.8 / 1.25	0.0 / 0.8	53.0	30.0	32.5
B	M25	1" or ¾"	20.2	16.9	26.0	1.25 / 1.6	0.0 / 0.7	69.5	36.0	39.5
C	M32	1¼" or 1"	26.5	22.0	33.0	1.6 / 2.0	0.0 / 0.7	64.0	46.0	50.5
C2	M40	1½" or 1¼"	32.5	28.0	41.0	1.6 / 2.0	0.0 / 0.7	68.3	55.0	60.6
D	M50	2" or 1½"	44.4 / 42.3 <sup>1</sup>	36.0	52.6	1.8 / 2.5	0.0 / 1.0	79.0	65.0	70.8
E	M63	2½" or 2"	56.3 / 54.3 <sup>1</sup>	46.0	65.3	1.8 / 2.5	0.0 / 1.0	78.9	80.0	88.0
F	M75	3" or 2½"	68.2 / 65.3 <sup>1</sup>	57.0	78.0	1.8 / 2.5	0.0 / 1.0	83.7	95.0	104.0
G	M80	3½"	73.0	75.0	89.5	2.0 / 3.5	0.0 / 1.0	95.6	106.4	115.0
H	M90	3½"	77.6	75.0	89.5	2.0 / 3.5	0.0 / 1.0	95.6	115.0	130.0
J	M100	4"	91.6	88.0	104.5	2.5 / 4.0	0.0 / 1.0	95.6	127.0	142.0

All dimensions in millimetres (except \* where dimensions are in inches). Os - F size metric entry threads are 1.5mm pitch as standard, 15mm length of thread. For G size glands and above3, a 2mm pitch is supplied as standard, 20mm length of thread (1.5mm pitch with 15mm length of thread can be supplied) please specify when ordering.

<sup>1</sup> Smaller value is applicable when selecting reduced NPT entry option.

<sup>2</sup> Sizes Os and O are available with an M16 thread size. For O size with M16 thread, the maximum cable outer sheath diameter is 10.9mm

## Technical Data

Construction & Test Standards	BS EN 62444:2013, BS 6121: Part 1 Type CW, CX, CY and CZ
Ingress Protection	IP66 to BS EN 60529
Operating Temperature	-60°C to +100°C

## Alternative Reversible Armour Clamping Ring Size Selection

Size Ref	Orientation 1	Orientation 2
B	0.9 - 1.25	0.5 - 0.9
C	1.2 - 1.6	0.6 - 1.2
C2	1.2 - 1.6	0.6 - 1.2
D	1.45 - 1.8	1.0 - 1.45
E	1.45 - 1.8	1.0 - 1.45
F	1.45 - 1.8	1.0 - 1.45

## Ordering Information

Format for ordering is as follows: Alternative Clamping Ring (AR), add suffix AR to ordering information

Cable Gland Type	Size	Thread	(Optional)
151/RAC	C	M32	AR
151/RAC	C	1¼" NPT	AR

Order Example: 151/RAC C M32 AR

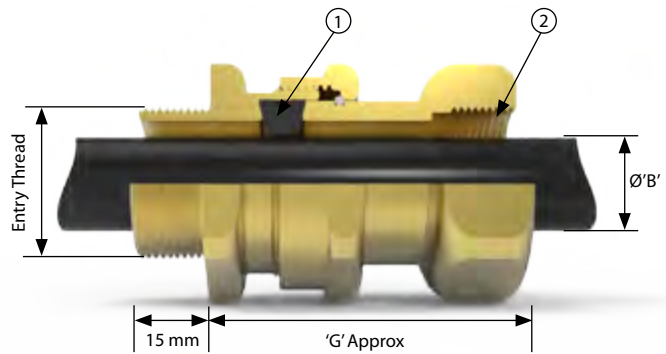
114



Industrial gland for indoor or outdoor use



- 1 Elastomeric seal on cable inner sheath
- 2 Female running coupler for cable gland or conduit entry



The 114 industrial cable gland offers a female running coupler and a seal onto the cable outer sheath for use with non-armoured elastomer and plastic insulated cables installed in conduit. May also be used with braided cables under certain conditions - See technical section for installation rules and regulations.

Cable Gland Selection Table											
Size Ref.	Entry Thread Size 'A'		Female Entry Thread Size		Cable Acceptance Details				'G'	Hexagon Dimensions	
	Metric	NPT* Standard	Metric	NPT* Standard	Outer Sheath 'B'					Across Flats	Across Corners
					Standard Seal		Alternative Seal (S)				
					Min	Max	Min	Max			
Os	M20	½"	M20	-	3.2	8	-	-	56.4	24	26.5
O	M20	½"	M20	-	6.5	11.9	-	-	56.4	24	26.5
A	M20	¾" or ½"	M20	-	10	14.3	9	13.4	56.4	30	32.5
B	M25	1" or ¾"	M25	-	13	20.2	9.5	15.4	48.2	36	39.5
C	M32	1¼" or 1"	M32	-	19.5	26.5	15.5	21.2	61.6	46	50.5
C2	M40	1½" or 1¼"	M40	-	25	32.5	22	28	64.6	55	60.6
D	M50	2" or 1½"	M50	-	31.5	44.4/42.3 <sup>1</sup>	27.5	34.8	83.2	65	70.8
E	M63	2½" or 2"	M63	-	42.5	56.3/54.3 <sup>1</sup>	39	46.5	83.2	80	88
F	M75	3" or 2½"	M75	-	54.5	68.2/65.3 <sup>1</sup>	49.5	58.3	86.4	95	104

All dimensions in millimetres (except \* where dimensions are in inches). Metric entry threads are 1.5mm pitch as standard

<sup>1</sup> Smaller value is applicable when selecting reduced NPT entry option. Hexagon dimensions as shown may alter.

Technical Data	
Construction & Test Standards	BS EN 62444:2013
Ingress Protection	IP66 to IEC/EN 60529
Operating Temperature	-60°C to +100°C

Ordering Information						
Format for ordering is as follows: Alternative Seal (S), add suffix S to ordering information						
Cable Gland Type	Size	Male Thread	Female Thread	Material	(Optional)	
114	C	M32	M32	Brass	S	
114	C	1¼" NPT	1¼" NPT	Brass	S	

Order Example: 114 C M32 M32 Brass S



Chalmit

# PROTECTA X

*The Next Generation in Hazardous Area LED Lighting*



**Revolutionary** Design

**Longest** Life • **Highest** Output

**120,000 hrs+** Lifespan • **Market-Leading** Efficacy

**Optimised** Optical Design • **Innovative** Battery Stick

Performance of a 4ft linear in a **Slimline Compact Package**

**#XSeriesLED**

Be prepared to break the linear mould.



Follow us

[www.XSeriesLED.com](http://www.XSeriesLED.com)

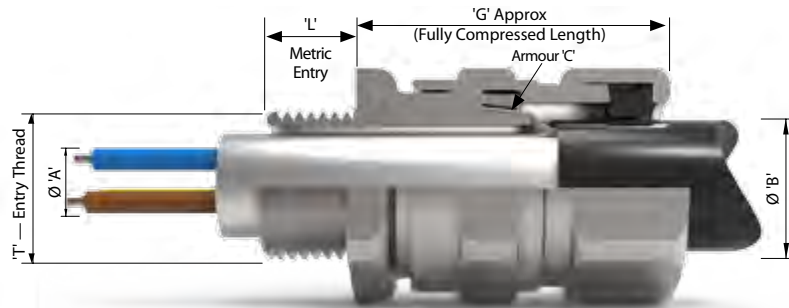


**FM/CW**



FireMate Industrial gland for indoor or outdoor use

MADE IN BRITAIN



**FIREMATE™**

**Cable Gland Selection Table**

Size Ref.	Entry Thread Size		Length of Thread (mm)	Cable Acceptance Details				'G'	Hexagon Dimensions	
	Metric	NPT* Standard		Inner Sheath 'A'	Outer Sheath 'B'		Armour Braid 'C'		Across Flats	Across Corners
					Min	Max				
Os	M20 <sup>2</sup>	½"	10.0	8	6.5	16	0.8/1.25	49	24.0	26.5
O	M20 <sup>2</sup>	½"	10.0	11.9	6.5	16	0.8/1.25	49	24.0	26.5
A	M20	¾" or ½"	10.0	14.3	11.5	20.9	0.8/1.25	49	30.0	32.5
B	M25	1" or ¾"	10.0	20.2	17	27.2	1.25/1.6	52	36.0	39.5
C	M32	1¼" or 1"	10.0	26.5	23.5	33.6	1.6/2.0	60	46.0	50.5

T - metric entry threads are 1.5mm pitch as standard. All dimensions in millimetres (except \* where dimensions are in inches).

<sup>2</sup>Sizes Os and O are available with an M16 thread size. For O size with M16 thread, the maximum cable inner sheath diameter is 10.9mm

**Technical Data**

Construction & Test Standards	BS EN 62444:2013 BS6121: Part 1 type CW
Ingress Protection	IP66 IEC/EN 60529
Material	Nickel Plated Brass with Intumescent Rubber Seal
Operating Temperature	Range: -20°C to +70°C
Sealing/Clamping Arrangement	Two part armour clamp, single compression seal
Earth	Electrical continuity using the armour wire termination (SWA, AWA)
Cable Type HICW	Single Wire Armour SWA and AWA
Cable Type H1CX	Braid Wire Armour, Pliable Wire Armour (PWA), Steel Tape Armour (STA)
Kit Information	Intumescent sealing material used for FireMate versions
Assembly Instructions	AI 505

Note: IP seal required to maintain IP66.

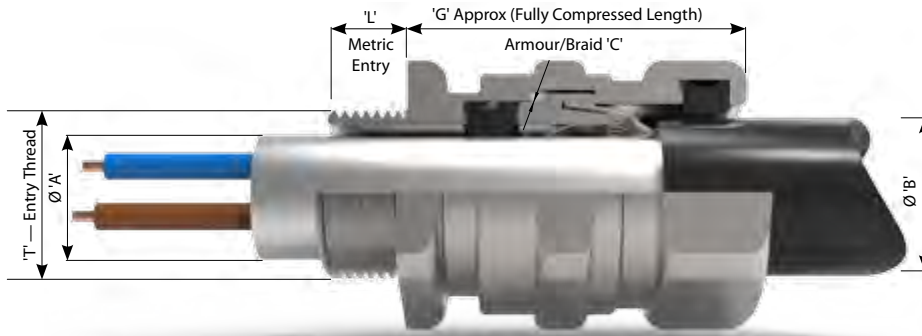
**Fire Test**

In accordance with BS EN50200:2006 (Resistance to fire with mechanical shock)	120mins at 830 (+40-0)°C with mechanical shock and a rated voltage of 240v rms.
Fire test: In accordance with BS 8434-2:2003 +A2 2009 (Resistance to fire with mechanical shock and water spray)	120mins at 930 (+40-0)°C with mechanical shock and a rated voltage of 240v rms. (60 mins fire and shock and 60 mins fire, shock and water)



# FM/E1W

Further information



**FIREMATE™**

## Cable Gland Selection Table

Size Ref.	Entry Thread Size		Length of Thread (mm)	Cable Acceptance Details							Hexagon Dimensions		
	Metric	NPT* Standard		Inner Sheath 'A'				Outer Sheath 'B'		Armour Braid 'C'	'G'	Across Flats	Across Corners
				Standard Seal		Alternative Seal 'S'		Min	Max				
				Min	Max	Min	Max						
Os	M20 <sup>2</sup>	½"	10.0	3.2	8.0	-	-	6.5	16.0	0.0	50.0	24.0	26.5
O	M20 <sup>2</sup>	½"	10.0	6.5	11.9	-	-	6.5	16.0	0.8/1.25	50.0	24.0	26.5
A	M20	¾" or ½"	10.0	10.0	14.3	9.0	13.4	11.5	20.9	0.8/1.25	51.0	30.0	32.5
B	M25	1" or ¾"	10.0	13.0	20.2	9.5	15.4	17.0	27.2	1.25/1.6	55.0	36.0	39.5
C	M32	1¼" or 1"	10.0	19.5	26.5	15.5	21.2	23.5	33.6	1.6/2.0	57.0	46.0	50.5

T' - metric entry threads are 1.5mm pitch as standard. All dimensions in millimetres (except \* where dimensions are in inches).

<sup>2</sup> Sizes Os and O are available with an M16 thread size. For O size with M16 thread, the maximum cable inner sheath diameter is 10.9mm

## Technical Data

Construction & Test Standards	BS EN 62444:2013, BS 6121: Part 1 Type E1W, E1X, E1Y and E1Z
Ingress Protection	IP66, IP67 and IP68 (30 metres for 7 days) to IEC/EN 60529
Deluge Protection	to DTS01
Operating Temperature	-60°C to +80°C
Assembly Instruction	AI 372 (Sizes Os to F) and AI 303 (Sizes G to J)

Note: IP seal required to maintain IP66.

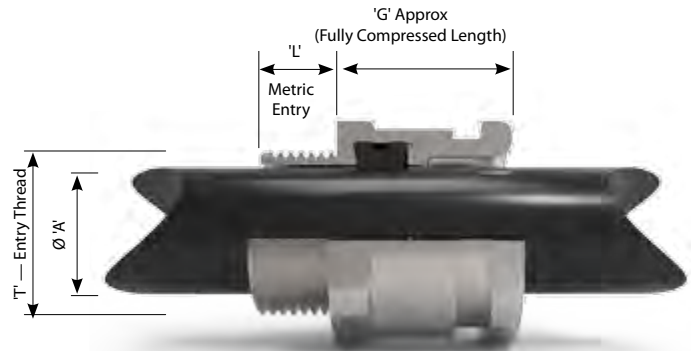
## Fire Test

In accordance with BS EN50200:2006 (Resistance to fire with mechanical shock)	120mins at 830 (+40-0)°C with mechanical shock and a rated voltage of 240v rms.
Fire test: In accordance with BS 8434-2:2003 +A2 2009 (Resistance to fire with mechanical shock and water spray)	120mins at 930 (+40-0)°C with mechanical shock and a rated voltage of 240v rms. (60 mins fire and shock and 60 mins fire, shock and water)

**FM/A2**



FireMate Industrial gland for indoor or outdoor use



**FIREMATE™**

**Cable Gland Selection Table**

Size Ref.	Entry Thread Size 'T' Metric	Length of Thread (mm) 'L'	Cable Acceptance Details		'G'	Hexagon Dimensions	
			Outer Sheath 'A'			Across Flats	Across Corners
			Min	Max			
2K	M16	10.0	3.2	8.0	23.5	19.0	21.2
Os	M20 <sup>1</sup>	10.0	3.7	8.0	23.5	19.0	21.2
O	M20 <sup>1</sup>	10.0	6.5	11.9	23.5	24.0	26.5
A	M20	10.0	10.0	14.3	23.5	24.0	26.5
B	M25	10.0	13.0	20.2	28.0	32.0	36.0
C	M32	10.0	19.5	26.5	29.0	41.0	44.0

<sup>1</sup> - metric entry threads are 1.5mm pitch as standard. All dimensions in millimetres

<sup>1</sup> Sizes Os and O are available with an M16 thread size  
For O size with M16 thread, the maximum cable outer sheath diameter is 10.9mm

**Technical Data**

Construction & Test Standards	BS EN 62444:2013 BS6121: Part 1 type A2
Ingress Protection	IP66 IEC/EN 60529
Material	Nickel Plated Brass with Intumescent Rubber Seal
Operating Temperature	Range: -20°C to +70°C
Sealing Arrangement	Single compression seal
Cable Type	Non armoured
Kit Information	Intumescent sealing material used for FireMate versions
Assembly Instructions	AI 507

Note: IP seal required to maintain IP66.

**Fire Test**

In accordance with BS EN50200:2006 (Resistance to fire with mechanical shock)	120mins at 830 (+40-0)°C with mechanical shock and a rated voltage of 240v rms.
Fire test: In accordance with BS 8434-2:2003 +A2 2009 (Resistance to fire with mechanical shock and water spray)	120mins at 930 (+40-0)°C with mechanical shock and a rated voltage of 240v rms. (60 mins fire and shock and 60 mins fire, shock and water)

# Mining Cable Glands

Hawke Cable glands for mining applications are designed to withstand much harsher operating conditions than equipment used in surface applications.

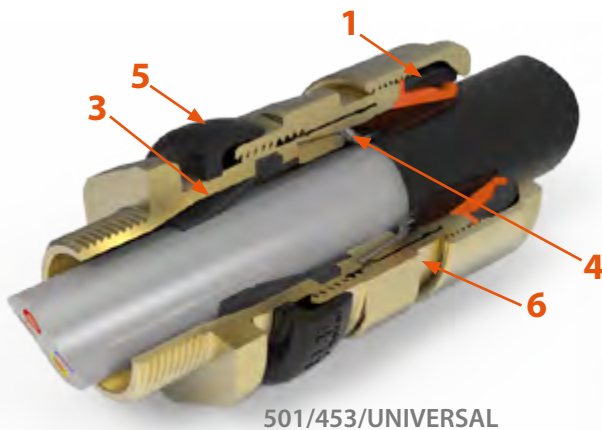
The mining industry was the birthplace for much of today's hazardous area certification. It was in these extremely tough and hostile mining environments that many modern day explosion proof products were born and this is also true for our range of cable glands.

Having serviced the mining industry for over 50 years, Hawke mining glands are recognised for their durability and ease of use.

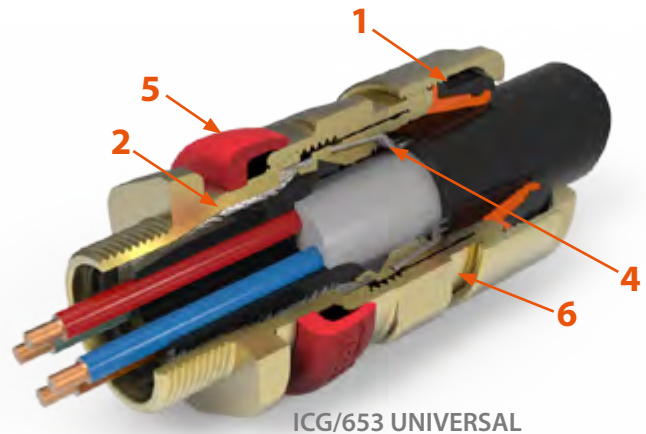




# Features



501/453/UNIVERSAL



ICG/653 UNIVERSAL

## ■ 1 Unique Rear Sealing System

This arrangement offers IP66, IP67, IP68 (30 metres for 7 days), NEMA 4X and Deluge (DTS01) Ingress Protection. The seal is manufactured from a silicone material, has LSFZH properties, is ozone and oil resistant and is suitable for use at both high and low temperatures. The Rear Sealing System covers the entire range of cable diameters without the need for special seals and the cable acceptance range is stamped on the backnut for ease of inspection. The backnut can be hand tightened, with only one further spanner turn required to ensure IP66, IP67, IP68 and NEMA 4X.

## ■ 2 Unique Inspectable Compound Chamber

The revolutionary Hawke compound chamber has been designed with inspectability in mind. With a unique clear non-metallic compound chamber for both IEC and NEC application, the barrier seal can be made using either a QSP quick setting 2-part hand-mixed putty, or a liquid injectable and fast curing resin, allowing for faster installation time than traditional 2-part compounds. The transparent compound chamber allows full visibility of the flameproof seal during installation and inspection making the ExPress barrier resin unparalleled as a global solution.

## ■ 3 Zero Cable Damage

The unique Hawke diaphragm sealing system does not damage cable which exhibit 'Cold Flow' characteristics. The diaphragm type seal is the only elastomeric seal to comply fully with IEC/EN 60079-14 and is therefore suitable on effectively filled 'cold flow' cables which would otherwise require barrier style cable glands. The Hawke diaphragm seal is also unique in that it is the only flameproof elastomeric seal that can be visually inspected in operation – a real benefit to inspectors.

## ■ 4 The Original Reversible Armour Clamp

The original RAC clamping system was invented by Hawke over 10 years ago and is a well established proven performer in all conditions. Simply by reversing the clamping ring, the cable gland can adjust to accommodate all types of cable armour or braid. Unlike many of our competitors, the correct stamping orientation is marked clearly with the armour size and backed up by the presence of a groove in the component. Hawke's RAC clamping system is also fully inspectable when positioned on the cable.

## ■ 5 Inspectable Deluge Seal

Hawke's Inspectable deluge seal offers IP66 and IP67 sealing and is certified as 'deluge proof' by ITS in accordance with DTS01. Indeed, Hawke's deluge seal is so good that it exceeds the expectations of the offshore industry by not only preventing ingress into the equipment, but also into the cable gland, which prevents corrosion of the cable armour.

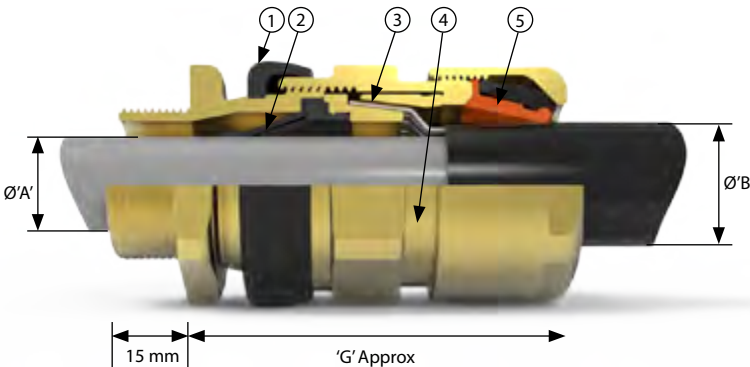
## ■ 6 Cable Tightening Guide

To help address issues with the overtightening of cable glands and the resultant damage to cables and seals, Hawke International has developed the patented INBUILT TIGHTENING GUIDE. Without the need for fiddly measuring systems, the guide provides a permanent visual indication of the gland tightness through installation, inspection and maintenance. The gland is permanently marked with various lines/numbers indicating the correct tightening level related to the cable diameter. The backnut, once tightened to the line corresponding to the cable diameter, ensures there is no cable damage whilst still maintaining IP and pull-out.



# 453/UNIV GP1

Mining, Flameproof, Increased Safety  
Certified ATEX / IECEx



- 1 Inspectable Deluge Seal - Offering IP66, IP67, IP68 & IP69 Ingress Protection
- 2 Passive diaphragm seal - Suitable for cables exhibiting 'Cold Flow' Fully inspectable
- 3 Reversible Armour Clamp - For all types of armour and braid
- 4 Patented Cable Gland Tightening Guide - Helps prevent damage caused by over tightening
- 5 Unique Rear Seal - Offering ultimate sealing over an extremely wide cable acceptance range

International Approvals



The 453 Universal group I mining Cable Gland is dual certified Exe/Exd, robust and for use with single wire armour 'W', wire braid 'X', steel tape armour 'Z', elastomer and plastic insulated cables. For particular use with cables that exhibit 'Cold Flow' characteristics, with a fully inspectable passive inner diaphragm seal.

Cable Gland Selection Table											
Size Ref.	Entry Thread Size 'A'		Cable Acceptance Details						'G'	Hexagon Dimensions	
	Metric	NPT* Standard	Inner Sheath		Outer Sheath 'B'		Armour Braid 'C'			Across Flats	Across Corners
			Min	Max	Min	Max	Orientation 1	Orientation 2			
Os	M20	½"	3.5	8.1	5.5	12.0	0.8 / 1.25	0.0 / 0.8	58.4	24.0	26.5
O	M20	½"	6.5	11.4	9.5	16.0	0.8 / 1.25	0.0 / 0.8	58.4	24.0	26.5
A	M20	¾" or ½"	8.4	14.3	12.5	20.5	0.8 / 1.25	0.0 / 0.8	59.6	30.0	32.5
B	M25	1" or ¾"	11.1	19.7	16.9	26.0	1.25 / 1.6	0.0 / 0.7	66.4	36.0	39.5
C	M32	1¼" or 1"	17.6	26.5	22.0	33.0	1.6 / 2.0	0.0 / 0.7	71.2	46.0	50.5
C2	M40	1½" or 1¼"	23.1	32.5	28.0	41.0	1.6 / 2.0	0.0 / 0.7	75.2	55.0	60.6
D	M50	2" or 1½"	28.9	44.4 / 42.3 <sup>1</sup>	36.0	52.6	1.8 / 2.5	0.0 / 1.0	98	65.0	70.8
E	M63	2½" or 2"	39.9	56.3 / 54.3 <sup>1</sup>	46.0	65.3	1.8 / 2.5	0.0 / 1.0	94.4	80.0	88.0
F	M75	3" or 2½"	50.5	68.2 / 65.3 <sup>1</sup>	57.0	78.0	1.8 / 2.5	0.0 / 1.0	102	95.0	104.0

All dimensions in millimetres (except \* where dimensions are in inches). Metric entry threads are 1.5mm pitch as standard

<sup>1</sup>Smaller value is applicable when selecting reduced NPT entry option.

Technical Data	
Ingress Protection	IP66, IP67, IP68* (30 metres for 7 days; special conditions may apply), IP69 to IEC/EN 60529 and NEMA 4X
Operating Temperature	-60°C to +80°C
ATEX/IECEx	
ATEX/IECEx Protection Class	Ex IM2 Ex db I Mb, Ex eb I Mb
ATEX Certificate No	CML 19ATEX1166X
IECEx Certificate No	CML 19.0044X
Construction & Test Standards	IEC/EN 60079-0, IEC/EN 60079-1 and IEC/EN 60079-7
Additional Certifications	EAC: TC RU C-GB HA91 B 0046 19

Alternative Reversible Armour Clamping Ring Size Selection		
Size Ref	Orientation 1	Orientation 2
B	0.9 - 1.25	0.5 - 0.9
C	1.2 - 1.6	0.6 - 1.2
C2	1.2 - 1.6	0.6 - 1.2
D	1.45 - 1.8	1.0 - 1.45
E	1.45 - 1.8	1.0 - 1.45
F	1.45 - 1.8	1.0 - 1.45

Ordering Information				
Format for ordering is as follows: Alternative Clamping Ring (AR), add suffix AR to ordering information				
Cable Gland Type	Size	Thread	Material	(Optional)
453/UNIV	C	M32	Brass	AR
453/UNIV	C	1¼" NPT	NP Brass	AR

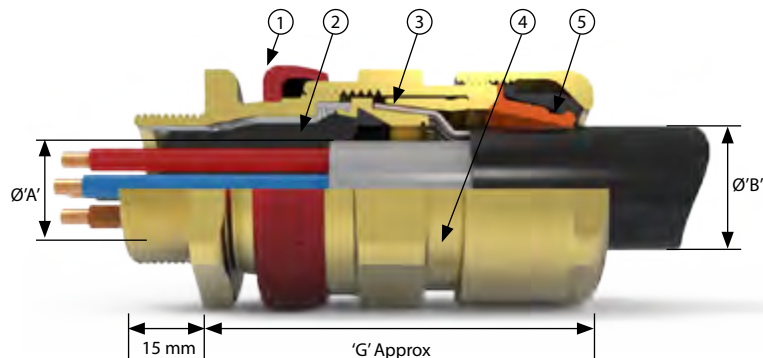
Example Code: 453/UNIV C M32 Stainless

# 653/UNIV GP1

Mining, Flameproof, Increased Safety, Dust Protection  
Certified ATEX/IECEX



- 1 Inspectable Deluge Seal - Offering IP66, IP67, IP68 & IP69 Ingress Protection
- 2 Transparent Elastomeric Fully Inspectable Compound Pot - compatible with both injectable resin and 2 part compound
- 3 Reversible Armour Clamp - For all types of armour and braid
- 4 Patented Cable Gland Tightening Guide - Helps prevent damage caused by over tightening
- 5 Unique Rear Seal - Offering ultimate sealing over an extremely wide cable acceptance range



International Approvals

Dual certified Exe/Exd group I mining barrier gland, providing a seal around individual cable cores, especially for cables that exhibit "cold flow" characteristics, are not effectively filled, have hygroscopic fillers or fibre optic cores. For use with single wire armour 'W', wire braid 'X', steel tape armour 'Z' elastomer and plastic insulated cables. The 653/UNIVERSAL is available with either ExPress liquid barrier resin or QSP 2-part hand mix compound, both with a cure time of 30 minutes.

Cable Gland Selection Table

Size Ref.	Entry Thread Size 'F'		Cable Acceptance Details								'G'	Hexagon Dimensions	
	Metric	NPT* Standard	Inner Sheath / Cores				Outer Sheath 'B'		Armour Braid 'C'			Across Flats	Across Corners
			Max Inner Sheath 'E'	Max Over Core Diameter	Max No of Cores	Max No of Fibre Optic	Min	Max	Orientation 1	Orientation 2			
Os	M20	½"	8.1	8	12	48	5.5	12	0.8/1.25	0.0/0.8	58.4	24	26.5
O	M20	½"	11.7	8.8	12	48	9.5	16	0.8/1.25	0.0/0.8	58.4	24	26.5
A	M20	¾" or ½"	14	10.8	15	72	12.5	20.5	0.8/1.25	0.0/0.8	60.6	30	32.5
B	M25	1" or ¾"	19.9	15.9	30	144	16.9	26	1.25/1.6	0.0/0.7	67.3	36	39.5
C	M32	1¼" or 1"	26.2	21.9	42	-	22	33	1.6/2.0	0.0/0.7	73.2	46	50.5
C2	M40	1½" or 1¼"	32.3	26.7	60	-	28	41	1.6/2.0	0.0/0.7	78.3	55	60.6
D	M50	2"	44.2	37.7	80	-	36	52.6	1.8/2.5	0.0/1.0	97.5	65	70.8
E	M63	2½"	56	49	100	-	46	65.3	1.8/2.5	0.0/1.0	93.5	80	88
F	M75	3"	68	59.8	120	-	57	78	1.8/2.5	0.0/1.0	104.5	95	104

All dimensions in millimetres (except \* where dimensions are in inches). Metric entry threads are 1.5mm pitch as standard, 15mm length of thread.

## Technical Data

Ingress Protection	IP66, IP67, IP68 (30 metres for 7 days, special conditions may apply) and IP69 to IEC/EN 60529 and NEMA 4X
Operating Temperature	-60°C to +80°C
ATEX/IECEX	
ATEX/IECEX Protection Class	Ex I M2 Ex db I Mb, Ex eb I Mb
ATEX Certificate No	CML19ATEX1169x
IECEX Certificate No	CML 19.0047X
Construction & Test Standards	IEC/EN 60079-0, IEC/EN 60079-1, IEC/EN 60079-7
Additional Certifications	EAC: TC RU C-GB HA91 B 0046 19

## Alternative Reversible Armour Clamping Ring Size Selection

Size Ref	Orientation 1	Orientation 2
B	0.9 - 1.25	0.5 - 0.9
C	1.2 - 1.6	0.6 - 1.2
C2	1.2 - 1.6	0.6 - 1.2
D	1.45 - 1.8	1.0 - 1.45
E	1.45 - 1.8	1.0 - 1.45
F	1.45 - 1.8	1.0 - 1.45

## Ordering Information

Format for ordering is as follows: Alternative Seal (AR), add suffix AR to ordering information

Cable Gland Type	Size	Thread	Barrier Type	Material	(Optional)
653/UNIV	C	M32	(Standard 2 part compound)	Brass	AR
653/UNIV	C	1 1/4"	EP (ExPress Resin)	Brass	AR

Two part sealing compound and assembly instructions are supplied with the cable gland.

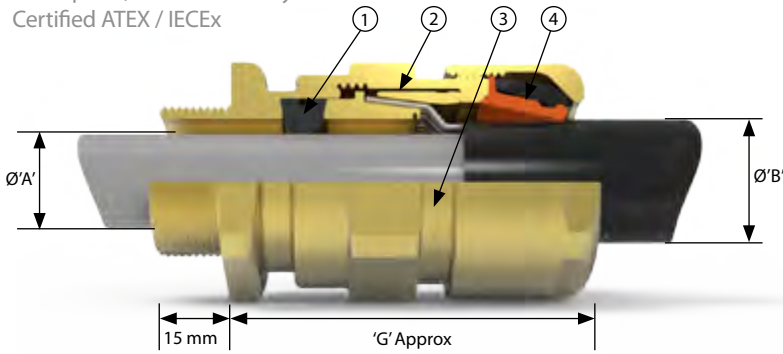
Example Code: 653/UNIV C M32 EP Stainless Steel

Product design and specifications are subject to change without notice. Please check the Hawke website for latest specifications.



# 453/RAC GP1

Mining  
Flameproof, Increased Safety  
Certified ATEX / IECEx



- 1 Elastomeric Exd flameproof seal on cable inner sheath
- 2 Reversible Armour Clamp - For all types of armour and braid
- 3 Patented Cable Gland Tightening Guide - Helps prevent damage caused by over tightening
- 4 Unique Rear Seal - Offering ultimate sealing over an extremely wide cable acceptance range

The 453/RAC group I mining Cable Gland is dual certified Exe/Exd, robust and for use with single wire armour 'W', wire braid 'X', steel tape armour 'Z', elastomer and plastic insulated cables. The gland provides an elastomeric seal on the cable inner sheath, and a low smoke, zero halogen IP and retention seal onto the cable outer sheath.

## Cable Gland Selection Table

Size Ref.	Entry Thread Size 'A'		Cable Acceptance Details								'G'	Hexagon Dimensions	
	Metric	NPT* Standard	Inner Sheath				Outer Sheath 'B'		Armour Braid 'C'			Across Flats	Across Corners
			Standard Seal		Alternative Seal (S)		Min	Max	Orientation 1	Orientation 2			
			Min	Max	Min	Max							
Os	M20	1/2"	3.2	8	-	-	5.5	12.0	0.8 / 1.25	0.0 / 0.8	52.0	24.0	26.5
O	M20	1/2"	6.5	11.9	-	-	9.5	16.0	0.8 / 1.25	0.0 / 0.8	52.0	24.0	26.5
A	M20	3/4" or 1/2"	10	14.3	9	13.4	12.5	20.5	0.8 / 1.25	0.0 / 0.8	53.0	30.0	32.5
B	M25	1" or 3/4"	13	20.2	9.5	15.4	16.9	26.0	1.25 / 1.6	0.0 / 0.7	69.5	36.0	39.5
C	M32	1 1/4" or 1"	19.5	26.5	15.5	21.2	22.0	33.0	1.6 / 2.0	0.0 / 0.7	64.0	46.0	50.5
C2	M40	1 1/2" or 1 1/4"	25	32.5	22	28.0	28.0	41.0	1.6 / 2.0	0.0 / 0.7	68.3	55.0	60.6
D	M50	2" or 1 1/2"	31.5	44.4 / 42.3 <sup>1</sup>	27.5	34.8	36.0	52.6	1.8 / 2.5	0.0 / 1.0	79.0	65.0	70.8
E	M63	2 1/2" or 2"	42.5	56.3 / 54.3 <sup>1</sup>	39	46.5	46.0	65.3	1.8 / 2.5	0.0 / 1.0	78.9	80.0	88.0
F	M75	3" or 2 1/2"	54.5	68.2 / 65.3 <sup>1</sup>	49.5	58.3	57.0	78.0	1.8 / 2.5	0.0 / 1.0	83.7	95.0	104.0

All dimensions in millimetres (except \* where dimensions are in inches). Metric entry threads are 1.5mm pitch as standard

<sup>1</sup>Smaller value is applicable when selecting reduced NPT entry option.

## Technical Data

Ingress Protection	IP66, IP67 and IP68* (30 metres for 7 days, special conditions apply) to IEC/EN 60529
Operating Temperature	-60°C to +80°C
ATEX/IECEx	
ATEX/IECEx Protection Class	Ex IM2 Ex db I Mb, Ex eb I Mb
ATEX Certificate No	CML 19ATEX1165X
IECEx Certificate No	CML 19.0043X
Construction & Test Standards	IEC/EN 60079-0, IEC/EN 60079-1 and IEC/EN 60079-7
Additional Certifications	EAC: TC RU C-GB HA91 B 0046 19

## Alternative Reversible Armour Clamping Ring Size Selection

Size Ref	Orientation 1	Orientation 2
B	0.9 - 1.25	0.5 - 0.9
C	1.2 - 1.6	0.6 - 1.2
C2	1.2 - 1.6	0.6 - 1.2
D	1.45 - 1.8	1.0 - 1.45
E	1.45 - 1.8	1.0 - 1.45
F	1.45 - 1.8	1.0 - 1.45

## Ordering Information

Format for ordering is as follows: Alternative Seal (S), Alternative Clamping Ring (AR), add suffix S and/or AR to ordering information

Cable Gland Type	Size	Thread	Material	(Optional)
453/RAC	C	M32	Brass	AR
453/RAC	C	1 1/4" NPT	Brass	S

Order Example: 453/RAC C M32 BRASS AR



Harsh & Hazardous

# Market Leading Brands One Hubbell Solution



The Hubbell Harsh & Hazardous family brings together 7 best in class brands. For **Lighting, Cable Glands, Enclosures, Connectors, Control Stations, Telecommunications and more** choose **Hubbell Harsh & Hazardous**.



Follow us

[www.harshandhazardous.com](http://www.harshandhazardous.com)



# Accessories

## Connection Solutions

To easily overcome fitting issues, we have produced an extensive range of thread adaptors, reducers and fittings. These enable interconnection of dissimilar sized connections on cable glands and enclosures while remaining compliant with international standards and approvals. This ensures that the integrity of equipment and safety in hazardous environments is not compromised.



## Designed and Manufactured in the UK

All of our cable glands and related accessories are designed and manufactured from our world-class facility in Manchester, UK where they have been produced for over 60 years.





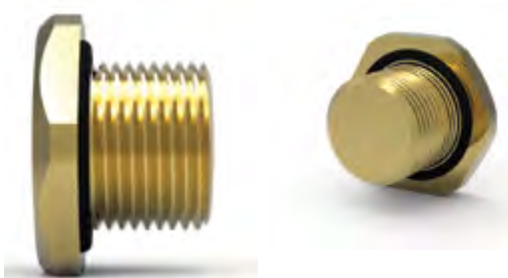
**375**   
Domed Head Stopping Plug

Selection Table		
Thread Size	'S' Dia (mm)	Allen Key (mm)
M16	23	8
M20	27.5	10
M25	32	10
M32	39	10
M40	49	10
M50	59	10
M63	72	10
M75	84	10

- ### General Information
- Manufactured in Polyamide with Nitrile O-Ring.
  - M16 to M75 as standard.
  - Thread length is 15mm as standard.
  - Metric entry threads are 1.5mm pitch as standard.
  - Suitable for use in Zone 1, Zone 2, Zone 21 and Zone 22.
  - Construction and Test Standards: IEC/EN 60079-0, IEC/EN 60079-7 and IEC/EN 60079-31.
  - Ingress Protection: IP66.
  - Assembly Instruction Sheet: AI 410.

Ordering Information			
Product	Thread Size	Material	Finish
375	M32	N/A	N/A

- ### Certification Details
- Increased Safety Exe IIC Gb, Extb IIIC Db, II 2GD.
  - Certificate No's: Baseefa 12ATEX0095X and IECEx BAS 12.0065X.
  - Ex TC RU C-GB.ГБ05.В.00750 EAC
  - Operating Temperature Range -60°C to +75°C.
  - Group II and III.



**390**   
Hexagon Head Stopping Plug

Selection Table			
Thread Size	Length of Thread (mm)	Across Flats (mm)	Across Corners (mm)
M16	15	24	26.5
M20	15	30	32.5
M25	15	36	39.5
M32	15	46	50.5
M40	15	55	60.6
M50	15	65	70.8
M63	15	80	88
M75	15	95	104

- ### General Information
- Manufactured in Brass, Nickel Plated Brass, Steel, Nickel Plated Steel and Stainless Steel. (Aluminium for Group II use only).
  - M16 to M130 as standard.
  - M16 to M75 are 1.5mm pitch as standard.
  - M80 to M130 are 2.0mm pitch as standard (20mm thread length).
  - Other parallel thread options available on request, including BSPP, PG, ET and NPSM. NPT threads also available.
  - Suitable for use in Zone 1, Zone 2, Zone 21, Zone 22 and mining applications.
  - Construction and Test Standards: IEC/EN 60079-0, IEC/EN 60079-7 and IEC/EN 60079-31.
  - Ingress Protection: IP66.
  - Assembly Instruction Sheet: AI 412.

Ordering Information			
Product	Thread Size	Material	Finish
390	M32	Brass	Nickel Plated

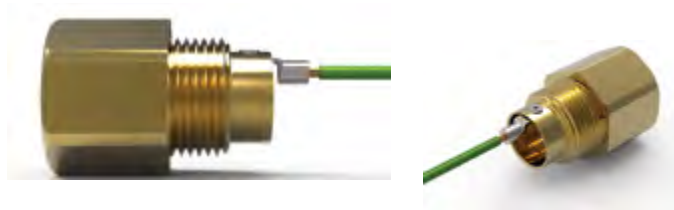
- ### Certification Details
- Increased Safety Exe I Mb, Exe IIC Gb, Extb IIIC Db, I M2/II 2GD.
  - Certificate No's: Baseefa 11ATEX0157X and IECEx BAS 11.0079X.
  - Ex TC RU C-GB.ГБ05.В.00750 EAC
  - Operating Temperature Range: Nitrile 'O' Ring fitted as standard -60°C to +80°C  
Silicone Option -60°C to +160°C.
  - Group 1, II and III.

Note: When ordering metric threads larger than M75, include the thread pitch details



# 383

Earth Lead Adaptor (Male to Female)



### General Information

- Manufactured in Brass, Nickel Plated Brass and Stainless Steel.
- PVC Insulated Cable as standard, (Optional LSOH cable).
- M20 to M75 as standard, other thread forms available on request.
- Different thread sizes and types are permitted each end of the adaptor. The thread sizes may differ by one size only.
- If longer cable lengths than standard are required, advise length in millimeters.
- Suitable for use in Zone 1, Zone 2, Zone 21 and Zone 22.
- Construction and Test Standards: IEC/EN 60079-0, IEC/EN 60079-7 and IEC/EN 60079-31.
- Ingress Protection: IP66. (when installed with a Hawke washer)
- Assembly Instruction Sheet: AI 413.

### Certification Details

- Increased Safety Exe IIC Gb, Extb IIIC Db, II 2GD.
- Certificate No's: Baseefa 11ATEX0152X and IECEx BAS 11.0074X.
- Ex TC RU C-GB.ГБ05.В.00750 EAC
- Operating Temperature Range -60°C to +80°C.
- Group II and III.

### Selection Table

Thread Size Male / Female	Across Flats (mm)	Across Corners (mm)	Cable Length (mm)	Cable Size (sq. mm)
M20 / M20	24	26.5	250	4
M25 / M25	30	32.5	250	4
M32 / M32	36	39.5	250	6
M40 / M40	46	50.5	250	10
M50 / M50	55	60.5	500	16
M63 / M63	70	77.5	500	25
M75 / M75	80	88	500	25

### Ordering Information

Product	Thread Size	Material	Finish
383	M32 Male x M32 Female	Brass	Nickel Plated

Note: Always state the male thread first



# 389

Breather Drain & Locknut



### General Information

- Manufactured in Brass, Nickel Plated Brass, Stainless Steel – Grade 316L. O Ring manufactured from Silicone Rubber.
- M20 and M25 with 1.5mm pitch as standard.
- Longer thread lengths are available on request.
- Suitable for use in Zone 1, Zone 2, Zone 21, Zone 22 and mining applications.
- Construction and Test Standards: IEC/EN 60079-0, IEC/EN 60079-7 and IEC/EN 60079-31.
- Ingress Protection: IP66.
- Assembly Instruction Sheet: AI 408.

### Certification Details

- Increased Safety Exe I Mb, Exe IIC Gb, Extb IIIC Db, I M2 / II 2GD.
- Certificate No's: Baseefa 11ATEX0153X and IECEx BAS 11.0075X.
- Ex TC RU C-GB.ГБ05.В.00750 EAC
- Operating Temperature Range:  
Nitrile 'O' Ring fitted as standard -60°C to +80°C  
Silicone Option -60°C to +160°C
- Group I, II and III.

### Selection Table

Thread Size	Length of Thread (mm)	Across Flats (mm)	Across Corners (mm)
M20	15	30	32.5
M25	15	36	39.5

### Ordering Information

Product	Thread Size	Pitch	Material	Finish
389	M25	1.5 mm	Brass	Nickel Plated



**475**

Tamper Proof Stopping Plug



Selection Table		
Thread Size	Thread Size (NPT)	Allen Key (mm)
M16	1/2" *	6 / 10 *
M20	3/4" or 1/2"	10
M25	1" or 3/4"	10
M32	1 1/4" or 1"	10
M40	1 1/2" or 1 1/4"	10
M50	2" or 1 1/2"	10
M63	2 1/2" or 2"	10
M75	3" or 2 1/2"	10

\* smaller size if for M16 only.

Ordering Information			
Product	Thread Size	Material	Finish
475	M32	Brass	Nickel Plated

### General Information

- The 475 is fitted from outside of the enclosure.
- Manufactured in Brass, Nickel Plated Brass, Steel, Nickel Plated Steel and Stainless Steel. (Aluminium for Group II use only).
- M16 to M75 as standard.
- Other thread options available on request, including BSPP, PG, NPT and ET.
- Metric entry threads are 1.5mm pitch as standard.
- Suitable for use in Zone 1, Zone 2, Zone 21, Zone 22 and mining applications.
- Construction and Test Standards: IEC/EN 60079-0, IEC/EN 60079-1 and IEC/EN 60079-31.
- Ingress Protection: IP66.
- Assembly Instruction Sheet: AI 404.

### Certification Details

- Flameproof Exd I Mb, Exd IIC Gb, Extb IIIC Db, IM2 / II 2GD.
- Certificate No's: Baseefa 10ATEX0262X and IECEx BAS 10.0120X
- Ex TC RU C-GB.Γ505.B.00750 EAC
- Operating Temperature Range -60°C to +160°C.
- Group I, II and III.



**477**

Tamper Proof Stopping Plug



Selection Table		
Thread Size	Thread Size (NPT)	Allen Key (mm)
M16	1/2" *	6 / 10 *
M20	3/4" or 1/2"	10
M25	1" or 3/4"	10
M32	1 1/4" or 1"	10
M40	1 1/2" or 1 1/4"	10
M50	2" or 1 1/2"	10
M63	2 1/2" or 2"	10
M75	3" or 2 1/2"	10

\* smaller size if for M16 only.

Ordering Information			
Product	Thread Size	Material	Finish
477	M32	Brass	Nickel Plated

### General Information

- The 477 is fitted from inside of the enclosure.
- Manufactured in Brass, Nickel Plated Brass, Steel, Nickel Plated Steel and Stainless Steel. (Aluminium for Group II use only).
- M16 to M75 as standard.
- Other parallel thread options available on request, including BSPP, PG, NPT and ET.
- Metric entry threads are 1.5mm pitch as standard.
- Suitable for use in Zone 1, Zone 2, Zone 21, Zone 22 and mining applications.
- Construction and Test Standards: IEC/EN 60079-0, IEC/EN 60079-1 and IEC/EN 60079-31.
- Ingress Protection: IP66.
- Assembly Instruction Sheet: AI 404.

### Certification Details

- Flameproof Exd IM2, Exd IIC Gb, Extb IIIC Db, IM2 II 2GD.
- Certificate No's: Baseefa 10ATEX0262X and IECEx BAS 10.0120X
- Ex TC RU C-GB.Γ505.B.00750 EAC
- Operating Temperature Range -60°C to +160°C.
- Group I, II and III.



# 487

## Domed Head Stopping Plug



### General Information

- Manufactured in Brass, Nickel Plated Brass, Steel, Nickel Plated Steel and Stainless Steel. (Aluminium for Group II use only).
- M16 to M130 as standard.
- Other parallel thread options available on request, including BSPP, PG, NPSM and ET. NPT available as 387 Exe Plug.
- Metric entry threads are 1.5mm pitch as standard.
- Suitable for use in Zone 1, Zone 2, Zone 21, Zone 22 and mining applications.
- Construction and Test Standards: IEC/EN 60079-0, IEC/EN 60079-1, IEC/EN 60079-7 and IEC/EN 60079-31.
- Ingress Protection: IP66.
- Assembly Instruction Sheet: AI 411.

### Selection Table

Thread Size	Length of Thread (mm)	Overall Dia. (mm)	Allen Key (mm)
M16	15	24	6
M20	15	26.5	10
M25	15	34	10
M32	15	45	10
M40	15	51.5	10
M50	15	61.5	10
M63	15	74.5	10
M75	15	86.5	10

### Certification Details

- Increased Safety and Flameproof Exe I Mb, Exd I Mb, Exe IIC Gb, Exd IIC Gb, Extb IIIC Db, IM2 / II 2GD.
- Certificate No's: Baseefa 11ATEX0149X and IECEx BAS 11.0071X.
- Ex TC RU C-GB.Γ505.B.00750 EAC
- Operating Temperature Range:  
Nitrile 'O' Ring fitted as standard -60°C to +80°C  
Silicone Option -60°C to +160°C
- Group I, II and III.

### Ordering Information

Product	Thread Size	Material	Finish
487	M32	Brass	Nickel Plated

Note: When ordering metric threads larger than M75, include the thread pitch details.



# 489

## Breather Drain



### General Information

- The Breather Drain may only be fitted to the underside Exd enclosures with internal volumes of 2.5 litres or less.
- Manufactured in Brass, Nickel Plated Brass, Stainless Steel – Grade 316L.
- Nitrile O Ring supplied as standard, Silicone option available.
- M20 and M25 with 1.5mm pitch as standard.
- Other thread options available on request, including BSPP, PG, NPT, ET and NPSM.
- Suitable for use in Zone 1, Zone 2, Zone 21, Zone 22 and mining applications.
- Construction and Test Standards: IEC/EN 60079-0 & IEC/EN 60079-1 and IEC/EN 60079-31.
- Ingress Protection: IP66.
- Assembly Instruction Sheet: AI 409.

### Selection Table

Thread Size	Length of Thread (mm)	Across Flats (mm)	Across Corners (mm)
M20	15	30	32.5
M25	15	36	39.5

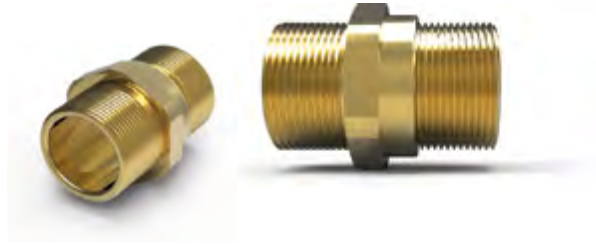
### Ordering Information

Product	Thread Size	Material	Finish
489	M20	Brass	Nickel Plated

### Certification Details

- Flameproof Exd I Mb, Exd IIC, Extb IIIC Db IM2 / II 2GD.
- Certificate No's: Baseefa 11ATEX0154X and IECEx BAS 11.0076X.
- Ex TC RU C-GB.Γ505.B.00750 EAC
- Ambient Temperature Range -60°C to +60°C.
- Temperature Classification: T6.
- Group I, II and III.





**479**

Inline Adaptor (Male to Male)



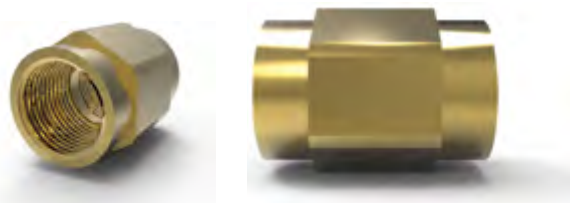
Selection Table						
Male Thread Size	Thread Pitch (mm)	Male Thread Size	Thread Pitch (mm)	Thread Length (mm)	Across Flats (mm)	Across Corners (mm)
M16	1.5	M16	1.5	15	24	26.5
M20	1.5	M20	1.5	15	30	32.5
M25	1.5	M25	1.5	15	36	39.5
M32	1.5	M32	1.5	15	46	50.5
M40	1.5	M40	1.5	15	55	60.6
M50	1.5	M50	1.5	15	65	70.8
M63	1.5	M63	1.5	15	80	88
M75	1.5	M75	1.5	15	95	109.5

Note: Different thread sizes and types are permitted at each end of the adaptor, a step of one thread size is permitted between the male threads.  
Where different thread types/sizes are supplied, the overall dimensions of the adaptor may differ from the ones in the table

Ordering Information			
Product	Thread Size	Material	Finish
479	M32 Male x 1 1/4" NPT Male	Brass	Nickel Plated

- ### General Information
- Manufactured in Brass, Nickel Plated Brass, Aluminium, Steel, Nickel Plated Steel and Stainless Steel.
  - M16 to M75 as standard.
  - Other thread options available on request, including BSPP, PG, NPT, ET and NPSM.
  - Suitable for use in Zone 1, Zone 2, Zone 21 and Zone 22.
  - Construction and Test Standards: IEC/EN 60079-0, IEC/EN 60079-1 IEC/EN 60079-7 and IEC/EN 60079-31.
  - Ingress Protection: IP66. (when installed with a Hawke washer)
  - Assembly Instruction Sheet: AI 414.

- ### Certification Details
- Increased Safety and Flameproof Exe IIC Gb, Exd IIC Gb, Extb IIIC Db, II 2GD.
  - Certificate No's: Baseefa 11ATEX0150U and IECEx BAS 11.0072U.
  - Ex TC RU C-GB.Г505.B.00750 EAC
  - \*Operating Temperature Range -60°C to +200°C.
  - Group II and III.
- \*The operating temperature may have to be reduced if an IP washer is used



**480**

Inline Adaptor (Female to Female)



Selection Table						
Female Thread Size	Thread Pitch (mm)	Female Thread Size	Thread Pitch (mm)	Thread Length (mm)	Across Flats (mm)	Across Corners (mm)
M16	1.5	M16	1.5	16	24	26.5
M20	1.5	M20	1.5	16	30	32.5
M25	1.5	M25	1.5	16	36	39.5
M32	1.5	M32	1.5	16	46	50.5
M40	1.5	M40	1.5	16	55	60.6
M50	1.5	M50	1.5	16	65	70.8
M63	1.5	M63	1.5	16	80	88
M75	1.5	M75	1.5	16	95	109.5

Note: Different thread sizes and types are permitted at each end of the adaptor, a step of one thread size is permitted between the female threads.  
Where different thread types/sizes are supplied, the overall dimensions of the adaptor may differ from the ones in the table

Ordering Information			
Product	Thread Size	Material	Finish
479	M32 Female x 1 1/4" NPT Female	Brass	Nickel Plated

- ### General Information
- Manufactured in Brass, Nickel Plated Brass, Aluminium, Steel, Nickel Plated Steel and Stainless Steel.
  - M16 to M75 as standard.
  - Other thread options available on request, including BSPP, PG, NPT, ET and NPSM.
  - Suitable for use in Zone 1, Zone 2, Zone 21 and Zone 22.
  - Construction and Test Standards: IEC/EN 60079-0, IEC/EN 60079-1 IEC/EN 60079-7 and IEC/EN 60079-31.
  - Ingress Protection: IP66. (when installed with a Hawke washer)
  - Assembly Instruction Sheet: AI 414.

- ### Certification Details
- Increased Safety and Flameproof Exe IIC Gb, Exd IIC Gb, Extb IIIC Db, II 2GD.
  - Certificate No's: Baseefa 11ATEX0150U and IECEx BAS 11.0072U.
  - Ex TC RU C-GB.Г505.B.00750 EAC
  - \*Operating Temperature Range -60°C to +200°C.
  - Group II and III.
- \*The operating temperature may have to be reduced if an IP washer is used



# SIZE GUIDE

Selection Guides for Adaptors and Reducers

		Female Thread													Female Thread																										
KEY:		METRIC & ET													NPT, BSPP, BSPT & NPSM													PG													
		$\frac{1}{2}''$	$\frac{5}{8}''$	$\frac{3}{4}''$	1"	$1\frac{3}{4}''$	$1\frac{1}{2}''$	2"	$2\frac{1}{2}''$	M75	M80	M90	M100	M110	M115	M120	M130	$\frac{3}{8}''$	$\frac{1}{2}''$	$\frac{3}{4}''$	1"	$1\frac{1}{4}''$	$1\frac{1}{2}''$	2"	$2\frac{1}{2}''$	3"	$3\frac{1}{2}''$	4"	5"	6"	PG7	PG9	PG11	PG13.5	PG16	PG21	PG29	PG36	PG42	PG48	
Male Thread	METRIC & ET	$\frac{1}{2}''$ * M12*	A	A	A													A	A													A	A	A							
		$\frac{5}{8}''$ M16*	A	A	A	A													A	A	A											A	A	A	A						
		$\frac{3}{4}''$ M20	R	A	A	A	A												A	A	A	A										A	A			A					
		1" M25	R	R	R	A	A	A											R	A	A	A	A									R	R	R	A	A	A	A			
		$1\frac{1}{4}''$ M32	R	R	R	R	A	A	A										R	R	R	A	A	A								R	R	R	R	R	A	A	A		
		$1\frac{1}{2}''$ M40	R	R	R	R	R	A	A	A									R	R	R	R	A	A	A							R	R	R	R	R	A	A	A		
		2" M50	R	R	R	R	R	R	A	A	A								R	R	R	R	A	A	A	A						R	R	R	R	R	R	A	A	A	
		$2\frac{1}{2}''$ M63	R	R	R	R	R	R	R	A	A	A							R	R	R	R	R	A	A	A	A					R	R	R	R	R	R	R	R	A	
		M75	R	R	R	R	R	R	R	R	A	A	A						R	R	R	R	R	R	A	A	A	A				R	R	R	R	R	R	R	R	R	
		M80	R	R	R	R	R	R	R	R	A	A	A						R	R	R	R	R	R	R	A	A	A	A			R	R	R	R	R	R	R	R	R	
		M90	R	R	R	R	R	R	R	R	A	A	A	A					R	R	R	R	R	R	R	A	A	A	A			R	R	R	R	R	R	R	R	R	
		M100	R	R	R	R	R	R	R	R	R	R	R	A	A	A			R	R	R	R	R	R	R	R	A	A	A			R	R	R	R	R	R	R	R	R	
		M110	R	R	R	R	R	R	R	R	R	R	R	R	A	A	A		R	R	R	R	R	R	R	R	R	A	A	A			R	R	R	R	R	R	R	R	R
		M115	R	R	R	R	R	R	R	R	R	R	R	R	R	A	A	A		R	R	R	R	R	R	R	R	R	A	A	A			R	R	R	R	R	R	R	R
		M120	R	R	R	R	R	R	R	R	R	R	R	R	R	R	A	A		R	R	R	R	R	R	R	R	R	A	A	A			R	R	R	R	R	R	R	R
	M130	R	R	R	R	R	R	R	R	R	R	R	R	R	R	R	A		R	R	R	R	R	R	R	R	R	A	A			R	R	R	R	R	R	R	R		
Male Thread	NPT, BSPP, BSPT & NPSM	$\frac{1}{2}''$ * $\frac{3}{8}''$ *	A	A	A	A												A	A	A											A	A	A	A							
		$\frac{5}{8}''$ $\frac{1}{2}''$	R	A	A	A	A												A	A	A	A									R	R	R	R	A	A					
		$\frac{3}{4}''$ $\frac{3}{4}''$	R	R	R	A	A	A											R	A	A	A	A								R	R	R	A	A	A					
		1" 1"	R	R	R	R	A	A	A										R	R	R	A	A	A							R	R	R	R	A	A	A				
		$1\frac{1}{4}''$ $1\frac{1}{4}''$	R	R	R	R	R	A	A	A									R	R	R	R	A	A	A						R	R	R	R	R	A	A	A			
		$1\frac{1}{2}''$ $1\frac{1}{2}''$	R	R	R	R	R	R	A	A	A								R	R	R	R	R	A	A	A					R	R	R	R	R	R	R	A	A		
		2" 2"	R	R	R	R	R	R	R	A	A	A							R	R	R	R	R	R	A	A	A				R	R	R	R	R	R	R	R	R		
		$2\frac{1}{2}''$ $2\frac{1}{2}''$	R	R	R	R	R	R	R	R	A	A	A						R	R	R	R	R	R	R	A	A	A			R	R	R	R	R	R	R	R	R		
		3" 3"	R	R	R	R	R	R	R	R	R	A	A	A					R	R	R	R	R	R	R	R	A	A	A			R	R	R	R	R	R	R	R		
		$3\frac{1}{2}''$ $3\frac{1}{2}''$	R	R	R	R	R	R	R	R	R	R	A	A	A				R	R	R	R	R	R	R	R	R	A	A	A			R	R	R	R	R	R	R		
		4" 4"	R	R	R	R	R	R	R	R	R	R	R	A	A	A			R	R	R	R	R	R	R	R	R	R	A	A	A			R	R	R	R	R	R	R	
	5" 5"	R	R	R	R	R	R	R	R	R	R	R	R	R	R	R		R	R	R	R	R	R	R	R	R	R	R	R	R	R	R	R	R	R	R	R	R			
	6" 6"	R	R	R	R	R	R	R	R	R	R	R	R	R	R	R		R	R	R	R	R	R	R	R	R	R	R	R	R	R	R	R	R	R	R	R	R			
Male Thread	PG	PG7*	A	A	A													A	A											A	A	A									
		PG9	A	A	A														A	A										A	A	A									
		PG11*	R	A	A	A													A	A	A									R	R	A	A	A							
		PG13.5	R	A	A	A	A												A	A	A	A								R	R	A	A	A	A						
		PG16	R	A	A	A	A												R	A	A	A								R	R	A	A	A	A						
		PG21	R	R	R	A	A	A											R	R	A	A	A							R	R	R	R	A	A	A					
		PG29	R	R	R	R	R	A	A	A									R	R	R	A	A	A						R	R	R	R	R	R	A	A	A			
	PG36	R	R	R	R	R	R	A	A	A								R	R	R	R	A	A	A					R	R	R	R	R	R	R	R	A	A			
	PG42	R	R	R	R	R	R	A	A	A								R	R	R	R	R	R	R	A	A			R	R	R	R	R	R	R	R	A	A			
	PG48	R	R	R	R	R	R	A	A	A								R	R	R	R	R	R	R	A	A			R	R	R	R	R	R	R	R	A	A			

**Ordering Example:**

Product	Thread Size	Material	Product	Thread Size	Material
Locknut	M25	Brass	Locknut	1" NPT	Brass

# SIZE GUIDE

Selection Guides for Adaptors and Reducers



Metric – BS 3643		
Size	Major Dia. (mm)	Pitch (mm)
M12	11.97	1.5
M16	15.97	1.5
M20	19.97	1.5
M25	24.97	1.5
M32	31.97	1.5
M40	39.97	1.5
M50	49.97	1.5
M63	62.97	1.5
M75	74.97	1.5
M80	79.97	2
M90	89.97	2
M100	99.97	2
M110	109.97	2
M115	114.97	2
M120	115.97	2
M130	129.97	2

National Pipe Thread NPT – USAS B 2.1 Taper 1 in 15 on Major Diameter		
Size	Major Dia. (mm)	TPI
3/8"	17.15	18
1/2"	21.34	14
3/4"	26.67	14
1"	33.4	11 1/2
1 1/4"	42.16	11 1/2
1 1/2"	48.26	11 1/2
2"	60.33	11 1/2
2 1/2"	73.03	8
3"	88.90	8
3 1/2"	101.6	8
4"	114.3	8
5"	141.3	8
6"	168.28	8

Pipe Gauge PG – DIN 40430		
Size	Major Dia. (mm)	TPI
PG 7	12.5	20
PG 9	15.2	18
PG 11	18.6	18
PG 13.5	20.4	18
PG 16	22.5	18
PG 21	28.3	16
PG 29	37	16
PG 36	47	16
PG 42	54	16
PG 48	59.3	16

National Pipe Straight Mechanical NPSM – USAS B 2.1		
Size	Major Dia. (mm)	TPI
3/8"	17.15	18
1/2"	21.34	14
3/4"	26.67	14
1"	33.4	11 1/2
1 1/4"	42.16	11 1/2
1 1/2"	48.26	11 1/2
2"	60.33	11 1/2
2 1/2"	73.03	8
3"	88.90	8
3 1/2"	101.6	8
4"	114.3	8
5"	141.3	8
6"	168.28	8

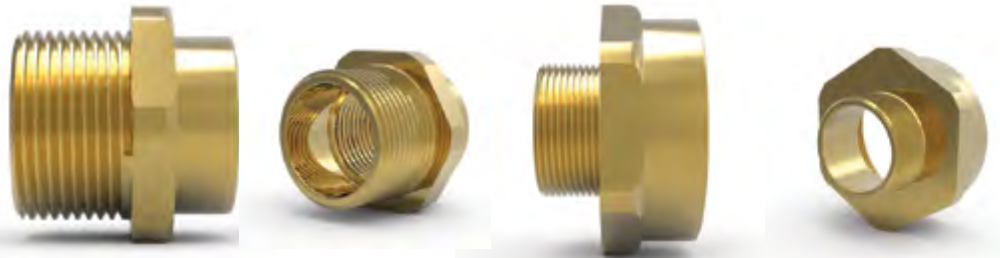
Electrical Thread Imperial ET – BS 31		
Size	Major Dia. (mm)	TPI
1/2"	12.5	18
5/8"	15.88	16
3/4"	19.05	16
1"	25.4	16
1 1/4"	31.75	16
1 1/2"	38.1	14
2"	50.8	14
2 1/2"	63.5	14

British Standard Pipe - Parallel BSPP – BS 2779 & BSPT <sub>r</sub> – BS 21		
Size	Major Dia. (mm)	TPI
3/8"	16.66	19
1/2"	20.96	14
3/4"	26.44	14
1"	33.25	11
1 1/4"	41.91	11
1 1/2"	47.8	11
2"	59.61	11
2 1/2"	75.18	11
3"	87.88	11
4"	113.03	11
5"	138.43	11
6"	163.35	11



# 476

Adaptor/Reducer (Male to Female)



### General Information

- Manufactured in Brass, Nickel Plated Brass, Steel, Nickel Plated Steel and Stainless Steel. (Aluminium for Group II use only).
- M12 to M130 (3/4" NPT to 6" NPT) as standard.
- Other thread options available on request, including BSPP, BSPT, PG, ET, NPT and NPSM.
- Up to two step thread sizes above the male thread on the adaptor is permitted.
- Suitable for use in Zone 1, Zone 2, Zone 21 and Zone 22.
- Construction and Test Standards: IEC/EN 60079-0, IEC/EN 60079-1 IEC/EN 60079-7 and IEC/EN 60079-31.
- Ingress Protection: IP66. (when installed with a Hawke washer)
- Assembly Instruction Sheet: AI 380.

### Certification Details

- Increased Safety and Flameproof Exe IMb, Exd IMb, Exe IIC Gb, Exd IIC Gb, Extb IIIC Db, IM2 / II 2GD.
- Certificate No's: Baseefa 11ATEX0067X and IECEx BAS 11.0037X.
- Ex TC RU C-GB.ГB05.B.00750 EAC
- \*Operating Temperature Range -60°C to +200°C.
- Group I, II and III.

*\*The operating temperature may have to be reduced if an IP washer is used*

### Ordering Information

Product	Thread Size	Material	Finish
476/Adaptor	M20 Male x 1" NPT Female	Brass	Nickel Plated

### Ordering Information

Product	Thread Size	Material	Finish
476/Reducer	M32 Male x M20 Female	Stainless Steel	N/A

*Always state the male thread first.  
Note: When ordering metric threads larger than M75, include the thread pitch details.*



490



Swivel In-Line Union with Lockstop (M to F)

Selection Table						
Male Thread Size	Thread Pitch (mm)	Female Thread Size	Thread Pitch (mm)	Thread Length (mm)	Typical A/F (mm) 'E'	Typical A/C (mm) 'F'
M16	1.5	M16	1.5	16	36	39.5
M20	1.5	M20	1.5	16	36	39.5
M25	1.5	M25	1.5	16	46	50.5
M32	1.5	M32	1.5	16	46	50.5
M40	1.5	M40	1.5	16	65	70.8
M50	1.5	M50	1.5	16	65	70.8
M63	1.5	M63	1.5	16	95	104
M75	1.5	M75	1.5	16	95	104

Note: Different thread sizes and types are permitted at each end of the inline swivel, a step of one thread size is permitted between the two threads. Where different thread types / sizes are supplied, the overall dimensions of the inline swivel may increase in size.

Ordering Example:				
Product	Thread Size	Pitch	Material	Finish
490	M32 Male x M32 Female	1.5 mm	Brass	Nickel Plated

Always state the male thread first.

- ### General Information
- Manufactured in Brass, Nickel Plated Brass, Steel, Nickel Plated Steel and Stainless Steel.
  - M16 to M75 as standard.
  - Other parallel male thread options available on request, including BSPP, PG, ET and NPSM.
  - NPT female threads can also be supplied in sizes ranging from ½" to 3".
  - Suitable for use in Zone 1, Zone 2, Zone 21, Zone 22 and mining applications.
  - Construction and Test Standards: IEC/EN 60079-0, IEC/EN 60079-1 IEC/EN 60079-7 and IEC/EN 60079-31.
  - Integral Silicone O Ring seal.
  - Ingress Protection: IP66. (when installed with a Hawke washer)
  - Assembly Instruction Sheet: AI 416.

- ### Certification Details
- Increased Safety & Flameproof Exe IMb, Exd IMb, Exe IIC Gb, Exd IIC Gb, Extb IIIC Db, IM2 / II 2GD.
  - Certificate No's: Sira 11ATEX1347U and IECEx SIR 11.0152U.
  - Ex TC RU C-GB.Г505.B.00750 EAC
  - \*Operating Temperature Range -60°C to +100°C.
  - Group I, II and III.
- \*The operating temperature may have to be reduced if an IP washer is used



491



Swivel In-Line Union (M to F)

Selection Table						
Male Thread Size	Thread Pitch (mm)	Female Thread Size	Thread Pitch (mm)	Thread Length (mm)	Typical A/F (mm) 'E'	Typical A/C (mm) 'F'
M16	1.5	M16	1.5	16	36	39.5
M20	1.5	M20	1.5	16	36	39.5
M25	1.5	M25	1.5	16	46	50.5
M32	1.5	M32	1.5	16	46	50.5
M40	1.5	M40	1.5	16	65	70.8
M50	1.5	M50	1.5	16	65	70.8
M63	1.5	M63	1.5	16	95	104
M75	1.5	M75	1.5	16	95	104

Note: Different thread sizes and types are permitted at each end of the inline swivel, a step of one thread size is permitted between the two threads. Where different thread types / sizes are supplied, the overall dimensions of the inline swivel may increase in size.

Ordering Example:				
Product	Thread Size	Pitch	Material	Finish
491	M32 Male x M32 Female	1.5 mm	Brass	Nickel Plated

Always state the male thread first.

- ### General Information
- Manufactured in Brass, Nickel Plated Brass, Steel, Nickel Plated Steel and Stainless Steel.
  - M16 to M75 as standard.
  - Other thread options available on request, including BSPP, PG, ET and NPSM.
  - NPT female threads can also be supplied in sizes ranging from ½" to 3".
  - Suitable for use in Zone 1, Zone 2, Zone 21, Zone 22 and mining applications.
  - Construction and Test Standards: IEC/EN 60079-0, IEC/EN 60079-1 IEC/EN 60079-7 and IEC/EN 60079-31.
  - Integral Silicone O Ring seal.
  - Ingress Protection: IP66. (when installed with a Hawke washer)
  - Assembly Instruction Sheet: AI 417.

- ### Certification Details
- Increased Safety & Flameproof Exe IMb, Exd IMb, Exe IIC Gb, Exd IIC Gb, Extb IIIC Db, IM2 / II 2GD.
  - Certificate No's: Sira 11ATEX1347U and IECEx SIR 11.0152U.
  - Ex TC RU C-GB.Г505.B.00750 EAC
  - \*Operating Temperature Range -60°C to +100°C.
  - Group I, II and III.
- \*The operating temperature may have to be reduced if an IP washer is used





# 492

Swivel 90° Elbow with Lockstop (M to F)



### General Information

- Manufactured in Brass, Nickel Plated Brass, Steel, Nickel Plated Steel and Stainless Steel.
- M16 to M75 as standard.
- Other parallel male thread options available on request, including BSPP, PG, ET and NPSM.
- NPT female threads can also be supplied in sizes ranging from 1/2" to 3".
- Suitable for use in Zone 1, Zone 2, Zone 21, Zone 22 and mining applications.
- Construction and Test Standards: IEC/EN 60079-0, IEC/EN 60079-1 IEC/EN 60079-7 and IEC/EN 60079-31.
- Integral Silicone O Ring seal.
- Ingress Protection: IP66. (when installed with a Hawke washer)
- Assembly Instruction Sheet: AI 418.

### Certification Details

- Increased Safety & Flameproof Exe IMb, Exd IMb, Exe IIC Gb, Exd IIC Gb, Extb IIIC Db, IM2 / II 2GD.
- Certificate No's: Sira 11ATEX1347U and IECEx SIR 11.0152U.
- Ex TC RU C-GB.ГБ05.B.00750 EAC
- \*Operating Temperature Range -60°C to +100°C.
- Group I, II and III.

\*The operating temperature may have to be reduced if an IP washer is used

### Selection Table

Male Thread Size	Thread Pitch (mm)	Female Thread Size	Thread Pitch (mm)	Thread Length (mm)	Typical A/F (mm) 'C'	Typical A/C (mm) 'D'
M16	1.5	M16	1.5	16	36	39.5
M20	1.5	M20	1.5	16	36	39.5
M25	1.5	M25	1.5	16	55	60.6
M32	1.5	M32	1.5	16	55	60.6
M40	1.5	M40	1.5	16	80	88
M50	1.5	M50	1.5	16	80	88
M63	1.5	M63	1.5	16	95	104
M75	1.5	M75	1.5	16	95	104

Note: Different thread sizes and types are permitted at each end of the elbow, a step of one thread size is permitted between the two threads. Where different thread types / sizes are supplied, the overall dimensions of the elbow may increase in size.

### Ordering Example:

Product	Thread Size	Pitch	Material	Finish
492	M32 Male x M32 Female	1.5 mm	Brass	Nickel Plated

Always state the male thread first.



# 493

Swivel 90° Elbow (M to F)



### General Information

- Manufactured in Brass, Nickel Plated Brass, Steel, Nickel Plated Steel and Stainless Steel.
- M16 to M75 as standard.
- Other thread options available on request, including BSPP, PG, ET and NPSM.
- NPT female threads can also be supplied in sizes ranging from 1/2" to 3".
- Suitable for use in Zone 1, Zone 2, Zone 21, Zone 22 and mining applications.
- Construction and Test Standards: IEC/EN 60079-0, IEC/EN 60079-1 IEC/EN 60079-7 and IEC/EN 60079-31.
- Integral Silicone O Ring seal.
- Ingress Protection: IP66. (when installed with a Hawke washer)
- Assembly Instruction Sheet: AI 419.

### Certification Details

- Increased Safety & Flameproof Exe IMb, Exd IMb, Exe IIC Gb, Exd IIC Gb, Extb IIIC Db, IM2 / II 2GD.
- Certificate No's: Sira 11ATEX1347U and IECEx SIR 11.0152U.
- Ex TC RU C-GB.ГБ05.B.00750 EAC
- \*Operating Temperature Range -60°C to +100°C.
- Group I, II and III.

\*The operating temperature may have to be reduced if an IP washer is used

### Selection Table

Male Thread Size	Thread Pitch (mm)	Female Thread Size	Thread Pitch (mm)	Thread Length (mm)	Typical A/F (mm) 'C'	Typical A/C (mm) 'D'
M16	1.5	M16	1.5	16	36	39.5
M20	1.5	M20	1.5	16	36	39.5
M25	1.5	M25	1.5	16	55	60.6
M32	1.5	M32	1.5	16	55	60.6
M40	1.5	M40	1.5	16	80	88
M50	1.5	M50	1.5	16	80	88
M63	1.5	M63	1.5	16	95	104
M75	1.5	M75	1.5	16	95	104

Note: Different thread sizes and types are permitted at each end of the elbow, a step of one thread size is permitted between the two threads. Where different thread types / sizes are supplied, the overall dimensions of the elbow may increase in size.

### Ordering Example:

Product	Thread Size	Pitch	Material	Finish
493	M32 Male x M32 Female	1.5 mm	Brass	Nickel Plated

Always state the male thread first.



**494**

90° Fixed Elbow (M to F)



Selection Table						
Male Thread Size	Thread Pitch (mm)	Female Thread Size	Thread Pitch (mm)	Thread Length (mm)	Typical A/F (mm) 'C'	Typical A/C (mm) 'D'
M16	1.5	M16	1.5	16	36	39.5
M20	1.5	M20	1.5	16	36	39.5
M25	1.5	M25	1.5	16	55	60.6
M32	1.5	M32	1.5	16	55	60.6
M40	1.5	M40	1.5	16	80	88
M50	1.5	M50	1.5	16	80	88
M63	1.5	M63	1.5	16	95	104
M75	1.5	M75	1.5	16	95	104

Note: Different thread sizes and types are permitted at each end of the elbow, a step of one thread size is permitted between the two threads. Where different thread types / sizes are supplied, the overall dimensions of the elbow may increase in size.

Ordering Example:				
Product	Thread Size	Pitch	Material	Finish
494	M32 Male x M32 Female	1.5 mm	Brass	Nickel Plated

Always state the male thread first.

- ### General Information
- Manufactured in Brass, Nickel Plated Brass, Steel, Nickel Plated Steel and Stainless Steel.
  - M20 to M75 as standard.
  - Other thread options available on request, including BSPP, PG, ET and NPSM.
  - NPT female threads can also be supplied in sizes ranging from ½" to 3".
  - NPT threads are not permitted on the male threaded selection.
  - Suitable for use in Zone 1, Zone 2, Zone 21, Zone 22 and mining applications.
  - Construction and Test Standards: IEC/EN 60079-0, IEC/EN 60079-1 IEC/EN 60079-7 and IEC/EN 60079-31.
  - Ingress Protection: IP66. (when installed with a Hawke washer)
  - Assembly Instruction Sheet: AI 428.

- ### Certification Details
- Increased Safety & Flameproof Exe IMb, Exd IMb, Exe IIC Gb, Exd IIC Gb, Extb IIIC Db, IM2 / II 2GD.
  - Certificate No's: Sira 11ATEX1347U and IECEx SIR 11.0152U.
  - Ex TC RU C-GB.Г505.B.00750 EAC
  - \*Operating Temperature Range -60°C to +100°C.
  - Group I, II and III.
- \* The operating temperature may have to be reduced if an IP washer is used



**495**

90° Fixed Elbow (M to M)



Selection Table					
Male Thread Size	Thread Pitch (mm)	Male Thread Size	Thread Pitch (mm)	Male Thread Length (mm)	Typical Block Size (mm)
M20	1.5	M20	1.5	15	27
M25	1.5	M25	1.5	15	35
M32	1.5	M32	1.5	15	42
M40	1.5	M40	1.5	15	50
M50	1.5	M50	1.5	15	60
M63	1.5	M63	1.5	15	78
M75	1.5	M75	1.5	15	90

Note: Different thread sizes and types are permitted at each end of the elbow, a step of one thread size is permitted between the two threads. Where different thread types / sizes are supplied, the overall dimensions of the elbow may increase in size.

Ordering Example:				
Product	Thread Size	Pitch	Material	Finish
495	M32 Male x M32 Male	1.5 mm	Brass	Nickel Plated

Always state the male thread first.

- ### General Information
- Manufactured in Brass, Nickel Plated Brass, Steel, Nickel Plated Steel and Stainless Steel.
  - M20 to M75 as standard.
  - Other thread options available on request, including BSPP, PG, ET and NPSM. NPT threads are not permitted.
  - Suitable for use in Zone 1, Zone 2, Zone 21, Zone 22 and mining applications.
  - Construction and Test Standards: IEC/EN 60079-0, IEC/EN 60079-1 IEC/EN 60079-7 and IEC/EN 60079-31.
  - Ingress Protection: IP66. (when installed with a Hawke washer)
  - Assembly Instruction Sheet: AI 429.

- ### Certification Details
- Flameproof Exd IIC Gb, Increased Safety Exe IIC Gb and Dust Extb IIIC Db II 2GD.
  - Certificate No's: Baseefa 14ATEX0014U and IECEx BAS 14.0002U
  - Ex TC RU C-GB.Г505.B.00750 EAC
  - \*Operating Temperature Range -60°C to +200°C.
  - Group II and III.
- \* The operating temperature may have to be reduced if an IP washer is used



# 496

Swivel 90° Fixed Elbow (F to F)



### General Information

- Manufactured in Brass, Nickel Plated Brass, Steel, Nickel Plated Steel and Stainless Steel.
- M20 to M75 as standard.
- Other parallel male thread options available on request, including BSPP, PG, ET and NPSM.
- NPT female threads can also be supplied in sizes ranging from ½" to 3".
- Suitable for use in Zone 1, Zone 2, Zone 21, Zone 22 and mining applications.
- Construction and Test Standards: IEC/EN 60079-0, IEC/EN 60079-1 IEC/EN 60079-7 and IEC/EN 60079-31.
- Ingress Protection: IP66. (when installed with a Hawke washer)
- Assembly Instruction Sheet: AI 430.

### Certification Details

- Flameproof Exd IIC Gb, Increased Safety Exe IIC Gb and Dust Extb IIIC Db II 2GD.
- Certificate No's: Baseefa 14ATEX0014U and IECEx BAS 14.0002U.
- Ex TC RU C-GB.ГБ05.В.00750 EAC
- \*Operating Temperature Range -60°C to +200°C.
- Group II and III.

\* The operating temperature may have to be reduced if an IP washer is used

### Selection Table

Female Thread Size	Thread Pitch (mm)	Female Thread Size	Thread Pitch (mm)	Female Thread Length (mm)	Typical Block Size (mm)
M20	1.5	M20	1.5	16	27
M25	1.5	M25	1.5	16	35
M32	1.5	M32	1.5	16	42
M40	1.5	M40	1.5	16	50
M50	1.5	M50	1.5	16	60
M63	1.5	M63	1.5	16	78
M75	1.5	M75	1.5	16	90

Note: Different thread sizes and types are permitted at each end of the elbow, a step of one thread size is permitted between the two threads.

Where different thread types / sizes are supplied, the overall dimensions of the elbow may increase in size.

### Ordering Example:

Product	Thread Size	Pitch	Material	Finish
496	M32 Female x M32 Female	1.5 mm	Brass	Nickel Plated

Always state the male thread first.



# 481

Union (M to F)



### General Information

- Manufactured in Brass, Nickel Plated Brass, Steel, Nickel Plated Steel and Stainless Steel.
- M16 to M75 as standard.
- Other parallel thread options available on request, including BSPP, PG, ET and NPSM.
- NPT female threads can also be supplied in sizes ranging from ½" to 3".
- Suitable for use in Zone 1 and Zone 2.
- Construction and Test Standards: IEC/EN 60079-0 and IEC/EN 60079-1.
- Ingress Protection: IP54.
- Assembly Instruction Sheet: AI 407.

### Certification Details

- Flameproof Exd IIC Gb, II 2G.
- Certificate No's: Baseefa 14ATEX0014U and IECEx BAS 14.0002U
- Ex TC RU C-GB.ГБ05.В.00750 EAC
- Operating Temperature Range -60°C to +80°C.
- Group II.

### Selection Table

Male Thread Size	Thread Pitch (mm)	Female Thread Size	Thread Pitch (mm)	Thread Length (mm)	Across Flats (mm)	Across Corners (mm)
M16	1.5	M16	1.5	16	30	32.5
M20	1.5	M20	1.5	16	36	39.5
M25	1.5	M25	1.5	16	46	50.5
M32	1.5	M32	1.5	16	46	50.5
M40	1.5	M40	1.5	16	55	60.5
M50	1.5	M50	1.5	16	80	88
M63	1.5	M63	1.5	16	80	88
M75	1.5	M75	1.5	16	95	104

Note: Different thread sizes and types are permitted at each end of the adaptor, a step of one thread size is permitted between the two threads.

Where different thread types / sizes are supplied, the overall dimensions of the adaptor may increase in size.

### Ordering Example:

Product	Thread Size	Pitch	Material	Finish
481	M32 Male x M32 Female	1.5 mm	Brass	Nickel Plated

Always state the male thread first.



**482**  
Union (F to F)



Selection Table						
Female Thread Size	Thread Pitch (mm)	Female Thread Size	Thread Pitch (mm)	Thread Length (mm)	Across Flats (mm)	Across Corners (mm)
M16	1.5	M16	1.5	16	30	32.5
M20	1.5	M20	1.5	16	36	39.5
M25	1.5	M25	1.5	16	46	50.5
M32	1.5	M32	1.5	16	46	50.5
M40	1.5	M40	1.5	16	55	60.5
M50	1.5	M50	1.5	16	80	88
M63	1.5	M63	1.5	16	80	88
M75	1.5	M75	1.5	16	95	104

*Note: Different thread sizes and types are permitted at each end of the union, a step of one thread size is permitted between the two threads.  
Where different thread types / sizes are supplied, the overall dimensions of the union may increase in size.*

Ordering Example:				
Product	Thread Size	Pitch	Material	Finish
482	M32 Female x M32 Female	1.5 mm	Brass	Nickel Plated

*Always state the male thread first.*

- ### General Information
- Manufactured in Brass, Nickel Plated Brass, Steel, Nickel Plated Steel and Stainless Steel.
  - M16 to M75 as standard.
  - Other parallel thread options available on request, including BSPP, PG, ET and NPSM.
  - NPT female threads can also be supplied in sizes ranging from ½" to 3".
  - Suitable for use in Zone 1 and Zone 2.
  - Construction and Test Standards: IEC/EN 60079-0 and IEC/EN 60079-1.
  - Ingress Protection: IP54.
  - Assembly Instruction Sheet: AI 407.

- ### Certification Details
- Flameproof Exd IIC Gb, II 2G.
  - Certificate No's: Baseefa 14ATEX0155U and IECEx BAS 11.0077U.
  - Ex TC RU C-GB.ΓB05.B.00750 EAC
  - Operating Temperature Range -60°C to +80°C.
  - Group II.



**478**  
Insulated Adaptor



Selection Table						
Male Thread Size	Thread Pitch (mm)	Female Thread Size	Thread Pitch (mm)	Thread Length (mm)	Across Flats (mm)	Across Corners (mm)
M20	1.5	M20	1.5	15	36	39.5
M25	1.5	M25	1.5	15	46	50.5
M32	1.5	M32	1.5	15	55	60.6
M40	1.5	M40	1.5	15	65	70.5
M50	1.5	M50	1.5	15	80	88
M63	1.5	M63	1.5	15	95	104
M75	1.5	M75	1.5	15	106.4	115

*Note: Different thread sizes and types are permitted at each end of the adaptor, a step of one thread size is permitted between the two threads.  
Where different thread types / sizes are supplied, the overall dimensions of the adaptor may increase in size.*

Ordering Example:				
Product	Thread Size	Pitch	Material	Finish
478	M20 Male x ¾" NPT Female	1.5 mm	Brass	Nickel Plated

*Always state the male thread first.*

- ### General Information
- For converting dissimilar or similar thread forms or thread sizes and insulating cable gland entry from the equipment.
  - Manufactured in Brass, Nickel Plated Brass, Steel, Nickel Plated Steel, Stainless Steel. (Aluminium for Group II use only).
  - Insulating Material: Polyamide
  - M20 to M75 as standard.
  - Other parallel thread options available on request, including BSPP, PG, ET and NPSM.
  - NPT threads can also be supplied in sizes ranging from ½" to 3"
  - Suitable for use in Zone 1, Zone 2, Zone 21 and Zone 22.
  - Construction and Test Standards: IEC/EN 60079-0, IEC/EN 60079-1 IEC/EN 60079-7 and IEC/EN 60079-31.
  - Ingress Protection: IP66. (when installed with a Hawke washer)
  - Assembly Instruction Sheet: AI 426.

- ### Certification Details
- Increased Safety and Flameproof Exe I Mb, Exd I Mb, Exe IIC Gb, Exd IIC Gb, Extb IIIC Db, I M2 / II 2GD.
  - Certificate No's: Baseefa 12ATEX0207X and IECEx BAS 12.0111X
  - Ex TC RU C-GB.ΓB05.B.00750 EAC
  - \*Operating Temperature Range -55°C to +95°C.
  - Group I, II and III.

*\* The operating temperature may have to be reduced if an IP washer is used*



# SHROUDS

For Hawke Cable Glands

## General Information

- Available to fit Hawke gland sizes Os to J.
- Suitable for outdoor or indoor use.
- For fitting over cable glands when additional environmental and corrosion protection is required.
- Manufactured in Low Smoke and Fume, Halogen Free TPE material with excellent UV, ozone and weathering resistance.
- Black supplied as standard, other colour options are available, please contact the Hawke Sales Team for further information.

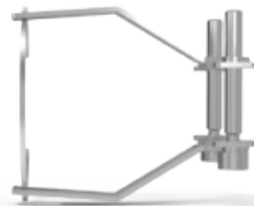
## Ordering Example:

Product	Thread Size
Shroud	C



# PULL-OUT CLAMP

For Hawke Cable Glands



## General Information

- Integral cable clamping for additional strain relief
- Retro-fit to installed glands
- Captive fittings for easy installation
- Manufactured in Stainless Steel as standard

## Selection Table

Size Reference	Cable Acceptance		Overall Length
	Min	Max	
O/Os	3.2	16	56
A	9	20.5	56
B	9.5	26	65
C	9.5	26	65

Example Code: pull-out clamp/Os



# WASHERS

Nylon Washers



Metric			
Size	OD (mm)	ID (mm)	Thickness
M16	24	16.6	1.5mm
M20	30	20.5	1.5mm
M25	36	25.6	1.5mm
M32	46	32.6	1.5mm
M40	55	40.2	1.5mm
M50	64.5	50.8	1.5mm
M63	79.5	64	1.5mm
M75	89.8	76.7	1.5mm
M80	95	80.7	1.5mm
M90	106	90.7	1.5mm
M100	125.6	103.7	1.5mm

Torque Values	
Gland Size	Torque (N/m)
O/Os	8
A	12
B	15
C	35
C2	35
D	35
E	40
F	60



## General Information

- For use on cable gland entry threads.
- To maintain ingress protection rating of the enclosure.
- Retaining "pips" make washer captive on metric cable gland entry thread.
- Sealing washer for PG thread sizes available.

NPT			
Size	OD (mm)	ID (mm)	Thickness
1/2"	27.7	21.5	1.5mm
3/4"	34.8	26.8	1.5mm
1"	42	34.1	1.5mm
1 1/4"	52.5	42.6	1.5mm
1 1/2"	58.6	50.2	1.5mm
2"	70	61.2	1.5mm
2 1/2"	83.4	74.9	1.5mm
3"	114.8	90.5	1.5mm
3 1/2"	125.8	104.3	1.5mm
4"	140.7	116.6	1.5mm

## Certification Details

- BS EN 60529.
- ISO 60079-0, ISO 60079-7.
- -60°C / +130°C.
- IP66/67/68/69.

## Ordering Example:

Product	Thread Size
Nylon Washer	M25

# SERRATED WASHER

Stainless Steel



Selection Table		
Gland Size Metric	Gland Size NPT *	Thickness
M16	1/2"	1.5
M20	3/4"	1.5
M25	1"	1.5
M32	1 1/4"	1.5
M40	1 1/2"	1.5
M50	2"	1.5
M63	2 1/2"	1.5
M75	3"	1.5
M80	3 1/2"	1.5
M90	4"	1.5
M100	4 1/2"	1.5
M110	5"	1.5
M115	6"	1.5
M120	6"	1.5
M130	6"	1.5



## General Information

- For use on cable gland entry threads.
- To dampen vibrations of the cable gland / equipment assembly.
- Manufactured in Stainless Steel as standard.

## Ordering Example:

Product	Thread Size	Product	Thread Size
Serrated Washer	M25	Serrated Washer	1" NPT

Note: All dimensions are in millimetres except where \* denotes dimensions in inches.

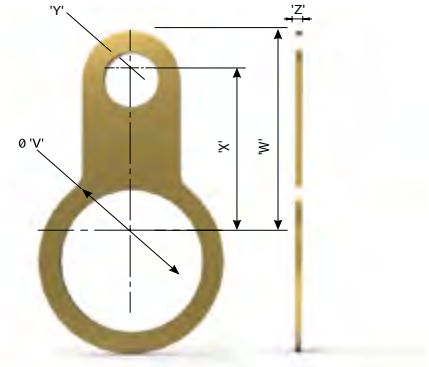


# EARTH TAGS

Brass or Stainless Steel

## General Information

- Provides an earth bond attachment for a cable gland.
- Manufactured in Brass as standard.
- Stainless Steel earthtags are available, but the dimensions may differ slightly to those stated in the selection table. Please contact Hawke Sales Team for details.
- The earthtags shape may vary for different sizes.



## Selection Table

Gland Size 'V'	'Y'	'W'	'X'	'Z'
M20	6.75	39.6	33.1	1.5
M25	6.85	45.5	36.5	1.5
M32	12.6	52	40.9	1.5
M40	13.4	59.6	44.2	1.5
M50	13.5	78.9	58.1	1.5
M63	13.5	87.6	66.8	1.5
M75	13.5	93.7	72.9	1.5
M80	14	128	104	1.5
M90	14	128	104	1.5
M100	14	128	104	2
M110	13.5	136	115	2
M115	13.5	141	120	2
M120	13.5	143.5	122.5	2
M130	13.5	153	128	2

Note: All dimensions are in millimetres.

## Ordering Example:

Product	Thread Size	Material	Finish
Earthtag	M25	Brass	N/A

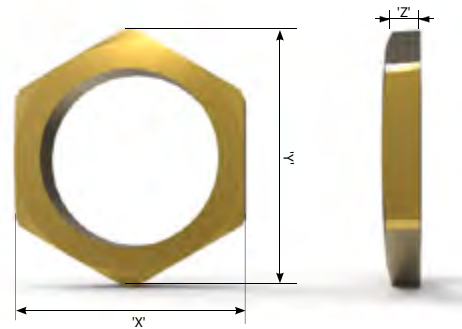


# LOCKNUTS

Brass or Stainless Steel

## General Information

- For use on cable gland entry threads.
- Manufactured in Brass as standard.
- Stainless Steel locknuts are also available, but dimensions may differ from the ones in the table.
- Locknuts for PG thread sizes are available.



## Selection Table

Gland Size	Across Flats 'X'	Across Corners 'Y'	'Z'	NPT * Gland Size	Across Flats 'X'	Across Corners 'Y'	'Z'
M16	22	24	3.7/4.7	—	—	—	—
M20	24	26.4	3.7/4.7	½"	27	29.7	3.0/4.0
M25	30	33.3	3.7/4.7	¾"	30.5	33.5	3.7/4.7
M32	40	44	3.7/4.7	1"	36	39.5	6.0/7.0
M40	46	50.5	4.5/5.5	1 ¼"	46	50.5	6.0/7.0
M50	65	71.5	4.5/5.5	1 ½"	55	60.6	6.0/7.0
M63	80	88	6.0/7.0	2"	65	70.8	6.0/7.0
M75	90	99	6.5/7.5	2 ½"	80	90	6.0/7.0
M80	107	122.2	9.5/10.5	3"	95	107	6.0/7.0
M90	107	122.2	9.5/10.5	3 ½"	128	143	8.5/9.5
M100	128	147	9.5/10.5	4"	128	143	8.5/9.5
M110	128	147	9.5/10.5	5"	170	187	9.5/10.5
M115	128	147	9.5/10.5	6"	200	220	9.5/10.5
M120	140	152	9.5/10.5	---	---	---	---
M130	150	165	9.5/10.5	---	---	---	---

Note: All dimensions are in millimetres except where \* denotes dimensions in inches.

## Ordering Example:

Product	Thread Size	Material	Product	Thread Size	Material
Locknut	M25	Brass	Locknut	1" NPT	Brass

# GLAND SPANNERS

For Hawke Cable Glands



Type 1  
see table



Type 2  
see table



The Hawke range of Gland Spanners have been designed for use with Hawke’s market-leading range of harsh and hazardous area, industrial, mining and explosive area Cable Glands.

Our Gland spanners have been engineered to minimise the accidental injury caused by slippage, as is commonly found with adjustable spanners or wrenches.

Individually sized for use with the full range of Hawke cable glands.

Gland Spanner Selection Table

Material	Mild steel zinc plated							
Type	1		1		2		2	
Dimension	O	A	B	C	C2	D	E	F
A/F (X)	24	30	36	46	55	65	80	95
Thickness	4		4		6	6	6	6
Head Size (Y)	46	56	70	90	110	120	150	170
Overall Length (Z)	302.5		370.5		496.5	435.5	486.5	423.5



# Exe ENCLOSURES

Plastic



Hawke's range of Plastic Enclosures offer an operating temperature range from -60°C to +75°C with one-piece captive silicone gaskets offering excellent ingress resistance of up to IP66, IP67 and DTS01 deluge protection.



The innovative **5-series enclosures** utilise an innovative clamshell design providing unrivalled access for both installation and inspection. In tests, this design can save up to a 45% time saving in installation alone as a direct result of this unique design.



The **PL6 range** offers an industry leading impact resistance of up to 20Nm and an extremely high corrosion resistance.

Hawke International have been supplying **Plastic Enclosures** into the Hazardous Area market for over 40 years.



# Exe ENCLOSURES

Stainless Steel



Boasting robust stainless steel construction and electropolished surface finish, the 3 range options, **EJB**, **S-Series** and **EA Range** offer unrivalled flexibility to the user and installer.



**EJB** – Our economy range of enclosures – highly durable, high IP and available in 3 footprints. Simple, yet highly effective.

**S-Series** – Extremely versatile 316L stainless steel enclosures, with an extensive range of sizes available. Globally certified offering true global application.

**EA Range** – Designed with productivity in mind, the Exe Easy Access range allows for far faster installation and inspection times with its unique sloped face design and cut-away sides. This, plus unparalleled ease of access, amazing ingress protection, removable hinged lid makes the EA enclosure an extremely cost effective solution.

Hawke's Exe Stainless Steel Enclosures have been serving the Harsh and Hazardous industries for decades.





# HAZCON CONTROL STATIONS

GRP and Stainless Steel



Developed to exceed customer expectations, the Control Station range is for use wherever potential explosion hazards exist (Zone 1/21 & 2/22) and boasts a huge selection of pushbuttons, ammeters and selector switches.

Available in both high impact GRP (Glass Reinforced Antistatic Polymer) and 316L Stainless Steel and certified to ATEX/IECEX and UL, the range can also be marked cULus, EAC and Inmetro – a true globally certified range.

- IP66 Ingress protection
- AC/DC compatible LED's
- 5 enclosure size offerings
- External mounting feet
- High switch contact blocks

# Ex CONNECTORS

For Harsh & Hazardous Environments



Hawke International has over 50 years experience in Hazardous Area connection systems, from instrumentation, Fiber Optic to low/medium power applications.



## FibreEx

Fibre Optic connectors for use in extreme hazardous environments



## InstrumEx

**Live** make-and-break connectors for Ex d applications up to 250V



## ControlEx

Multi-pin, globally approved Ex d connectors up to 1000V



## PowerEx

High Power connectors for up to 780A and 1000V *(other voltages available on request)*

#### **United Kingdom**

Hawke International Oxford Street West Ashton-under-Lyne Lancashire OL7 0NA  
Tel: +44 (0) 161 830 6695 Fax: +44 (0) 161 830 6698 Email: sales@ehawke.com

Hubbell Scotland 388 Hillington Road Glasgow G52 4BL  
Tel: +44 (0) 141 882 9029 Fax: +44 (0) 141 883 3704 Email: info@hubbell-scotland.com

#### **U.S.A.**

Hawke International U.S.A. 4140 World Houston Parkway Suite 130 Houston TX 77032  
Tel: +1 (281) 445 7400 Fax: +1 (281) 445 7404 E-mail: america@ehawke.com

#### **Middle East**

Hubbell Harsh & Hazardous, Dubai Airport Free Zone, Office #432, Building #6EB PO Box 23529 Dubai UAE  
Tel: +971 4 609 1222 Email: middle-east@ehawke.com

#### **Asia Pacific**

130 Joo Seng Road #03-02 Singapore 368357  
Tel: +65 6282 2242 Fax: +65 6284 4244 Email: asia@ehawke.com

#### **Korea**

512 Hyosung Intellian 681-3 Deungchon Dong Kangseo-Gu Seoul 157-030 Korea  
Tel: +82 2 2063 3719 Fax: +82 2 2603 7386 Mob: +82 10 9977 6349 Email: yyu@hubbell.com.sg

#### **China**

Room H/I 18F No. 728 Pudong Avenue  
Shanghai International Ocean and Finance Building Shanghai 200120 P.R. China  
Tel: +86 (21) 3392 6550 ext. 317 Fax: +86 (21) 3392 6551 Mob: +86 139 1829 4175 Email: weiyi@hubbell.com.cn